



Midwest
Designer
Supply

1-888-523-2611

customer.service@midwestdesignersupply.com



Wood Trends™





EXCEPTIONALLY CRAFTED

WOOD TRENDS: A LESSON IN CLASSIC COMPOSURE

Real wood pieces stained or painted in an array of finishes.

Classic forms add a subtle touch of elegance and tradition.

Expertly crafted styles for an updated look on old classics.

We built a solid foundation that is full of classic forms and a strong heritage of quality to bring you our Wood Trends Collection. We brought tradition and character together to create a refined blend of everything you've been dreaming of. Get into your comfort zone with our Wood Trends Collection.





CONTENTS

| | |
|----|--|
| 06 | Overview |
| 08 | 1 3/8" Finials & Components |
| 23 | 2" Finials & Components |
| 35 | Accessories & Components |
| 36 | Helpful Guides |
| 36 | AMP™ Motorization |
| 38 | Estate™ Overview |
| 40 | Bracket Spacing & Mount Option |
| 44 | Calculating Drapery Weight |
| 45 | Stack Guides |
| 52 | Pole Installation, Cutting & Splicing |
| 53 | Wood Elbow Configuration |
| 54 | Complete Collection Overview |
| 56 | Index |



COLLECTION OVERVIEW

9

FINISHES

Wood stains and neutral paints

2

VERSATILE SIZES

1 $\frac{3}{8}$ " & 2"

2

ESTATE™ TRAVERSE ROD SIZES

1 $\frac{3}{8}$ " & 2"

1

EXPERTLY CRAFTED COLLECTION

ARCHITRAC™ K-RAIL COMPATIBLE

1 $\frac{3}{8}$ " finials only

AMP™ MOTORIZATION COMPATIBLE

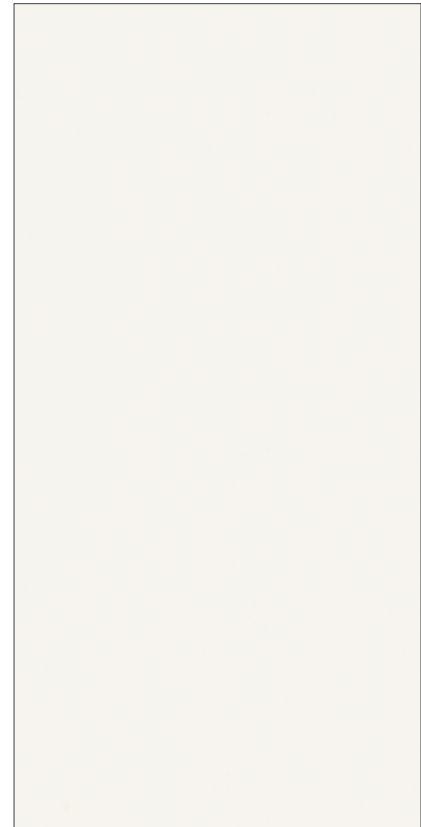
Estate™ Traverse Rods only

- 1 | Marble
- 2 | Coffee
- 3 | Dark Chocolate
- 4 | Truffle

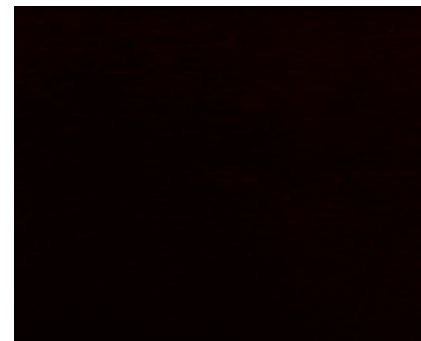
2



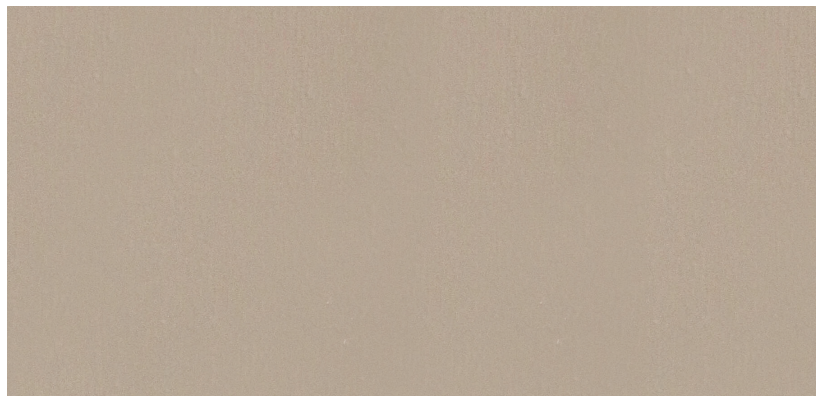
1



3



4



5



6

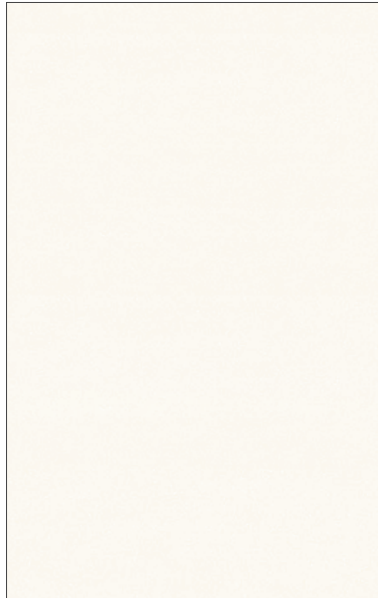


- 5 | Black
- 6 | Estate Oak
- 7 | Unfinished
- 8 | White
- 9 | Mahogany

7



8



9



1 3/8" Finials & Endcaps

Button Ball



| Fits | Dimensions | Quantity per Box |
|------------------------------|----------------|------------------|
| 1 3/8" Wood Trends™ Poles | Depth: 3 1/2" | 10 pairs per box |
| 1 3/8" Estate™ Traverse Rods | Height: 2 1/2" | |
| 1 3/8" K-Rail Traverse Rods | Width: 2 1/2" | |

| Product Number & Finish | | | | | |
|-------------------------|----------------|----------|------------|----------|---------|
| 5629G059 | Black | 5629G820 | Estate Oak | 5629G835 | Truffle |
| 5629G841 | Coffee | 5629G083 | Mahogany | 5629G025 | White |
| 5629G825 | Dark Chocolate | 5629G830 | Marble | | |

Chaucer



| Fits | Dimensions | Quantity per Box |
|------------------------------|----------------|------------------|
| 1 3/8" Wood Trends™ Poles | Depth: 3 3/4" | 10 pairs per box |
| 1 3/8" Estate™ Traverse Rods | Height: 3 1/4" | |
| 1 3/8" K-Rail Traverse Rods | Width: 3 1/4" | |

| Product Number & Finish | | | | | |
|-------------------------|----------------|----------|------------|----------|------------|
| 36807059 | Black | 36807820 | Estate Oak | 36807835 | Truffle |
| 36807841 | Coffee | 36807083 | Mahogany | 36807025 | White |
| 36807825 | Dark Chocolate | 36807830 | Marble | 36807091 | Unfinished |

Ethan



| Fits | Dimensions | Quantity per Box |
|------------------------------|----------------|------------------|
| 1 3/8" Wood Trends™ Poles | Depth: 2 3/4" | 10 pairs per box |
| 1 3/8" Estate™ Traverse Rods | Height: 3 1/4" | |
| 1 3/8" K-Rail Traverse Rods | Width: 3 1/4" | |

| Product Number & Finish | | | | | |
|-------------------------|----------------|----------|------------|----------|------------|
| 36814059 | Black | 36814820 | Estate Oak | 36814835 | Truffle |
| 36814841 | Coffee | 36814083 | Mahogany | 36814025 | White |
| 36814825 | Dark Chocolate | 36814830 | Marble | 36814091 | Unfinished |

Hugo

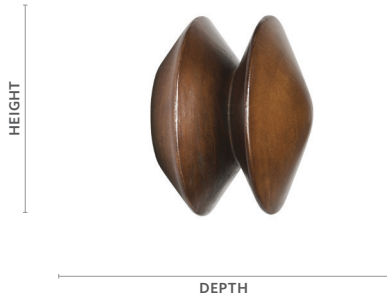


| Fits | Dimensions | Quantity per Box |
|------------------------------|----------------|------------------|
| 1 3/8" Wood Trends™ Poles | Depth: 2" | 10 pairs per box |
| 1 3/8" Estate™ Traverse Rods | Height: 2 1/2" | |
| 1 3/8" K-Rail Traverse Rods | Width: 2 1/2" | |

| Product Number & Finish | | | | | |
|-------------------------|----------------|----------|------------|----------|------------|
| 36815059 | Black | 36815820 | Estate Oak | 36815835 | Truffle |
| 36815841 | Coffee | 36815083 | Mahogany | 36815025 | White |
| 36815825 | Dark Chocolate | 36815830 | Marble | 36815191 | Unfinished |

1 3/8" Finials & Endcaps

Miller



| Fits | Dimensions | Quantity per Box |
|------------------------------|---------------|------------------|
| 1 3/8" Wood Trends™ Poles | Depth: 2 3/8" | 10 pairs per box |
| 1 3/8" Estate™ Traverse Rods | Height: 3" | |
| 1 3/8" K-Rail Traverse Rods | Width: 3" | |

| Product Number & Finish | | | | | |
|-------------------------|----------------|----------|------------|----------|------------|
| 36816059 | Black | 36816820 | Estate Oak | 36816835 | Truffle |
| 36816841 | Coffee | 36816083 | Mahogany | 36816025 | White |
| 36816825 | Dark Chocolate | 36816830 | Marble | 36816091 | Unfinished |

Sherwood



| Fits | Dimensions | Quantity per Box |
|------------------------------|----------------|------------------|
| 1 3/8" Wood Trends™ Poles | Depth: 3 3/4" | 10 pairs per box |
| 1 3/8" Estate™ Traverse Rods | Height: 2 3/4" | |
| 1 3/8" K-Rail Traverse Rods | Width: 2 3/4" | |

| Product Number & Finish | | | | | |
|-------------------------|----------------|-----------|------------|-----------|------------|
| 5609EG059 | Black | 5609EG820 | Estate Oak | 5609EG835 | Truffle |
| 5609EG841 | Coffee | 5609EG083 | Mahogany | 5609EG025 | White |
| 5609EG825 | Dark Chocolate | 5609EG830 | Marble | 5609EG091 | Unfinished |

Warren



| Fits | Dimensions | Quantity per Box |
|------------------------------|----------------|------------------|
| 1 3/8" Wood Trends™ Poles | Depth: 1 1/4" | 10 pairs per box |
| 1 3/8" Estate™ Traverse Rods | Height: 2 1/2" | |
| 1 3/8" K-Rail Traverse Rods | Width: 2 1/2" | |

| Product Number & Finish | | | | | |
|-------------------------|----------------|----------|------------|----------|------------|
| 36817059 | Black | 36817820 | Estate Oak | 36817835 | Truffle |
| 36817841 | Coffee | 36817083 | Mahogany | 36817025 | White |
| 36817825 | Dark Chocolate | 36817830 | Marble | 36817091 | Unfinished |

Wood Ball



| Fits | Dimensions | Quantity per Box |
|------------------------------|----------------|------------------|
| 1 3/8" Wood Trends™ Poles | Depth: 3 1/2" | 10 pairs per box |
| 1 3/8" Estate™ Traverse Rods | Height: 2 1/2" | |
| 1 3/8" K-Rail Traverse Rods | Width: 2 1/2" | |

| Product Number & Finish | | | | | |
|-------------------------|----------------|-----------|------------|-----------|------------|
| 5608EG059 | Black | 5608EG820 | Estate Oak | 5608EG835 | Truffle |
| 5608EG841 | Coffee | 5608EG083 | Mahogany | 5608EG025 | White |
| 5608EG825 | Dark Chocolate | 5608EG830 | Marble | 5608EG091 | Unfinished |

1 3/8" Finials & Endcaps

Endcap



| Fits | Dimensions | Quantity per Box |
|------------------------------|-------------|------------------|
| 1 3/8" Wood Trends™ Poles | Depth: 3/4" | 10 pairs per box |
| 1 3/8" Estate™ Traverse Rods | Height: 2" | |
| 1 3/8" K-Rail Traverse Rods | Width: 2" | |

| Product Number & Finish | | | | | |
|-------------------------|----------------|----------|------------|----------|------------|
| 36808059 | Black | 36808820 | Estate Oak | 36808835 | Truffle |
| 36808841 | Coffee | 36808083 | Mahogany | 36808025 | White |
| 36808825 | Dark Chocolate | 36808830 | Marble | 36808091 | Unfinished |



Hugo | Coffee

1 3/8" Poles

4' Smooth Pole



| Diameter | Length | Quantity per Box |
|----------|--------|------------------|
| 1 3/8" | 4' | 6 pieces per box |

Product Number & Finish

| | | |
|--------------------------|----------------------|----------------------|
| 56014G059 Black | 56014G820 Estate Oak | 56014G835 Truffle |
| 56014G841 Coffee | 56014G083 Mahogany | 56014G025 White |
| 56014G825 Dark Chocolate | 56014G830 Marble | 56014G091 Unfinished |

4' Fluted Pole



| Diameter | Length | Quantity per Box |
|----------|--------|------------------|
| 1 3/8" | 4' | 6 pieces per box |

Product Number & Finish

| | | |
|--------------------------|----------------------|----------------------|
| 56004G059 Black | 56004G820 Estate Oak | 56004G835 Truffle |
| 56004G841 Coffee | 56004G083 Mahogany | 56004G025 White |
| 56004G825 Dark Chocolate | 56004G830 Marble | 56004G091 Unfinished |

6' Smooth Pole

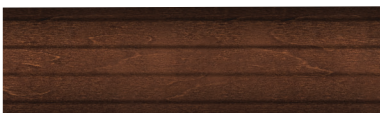


| Diameter | Length | Quantity per Box |
|----------|--------|------------------|
| 1 3/8" | 6' | 6 pieces per box |

Product Number & Finish

| | | |
|--------------------------|----------------------|----------------------|
| 56016G059 Black | 56016G820 Estate Oak | 56016G835 Truffle |
| 56016G841 Coffee | 56016G083 Mahogany | 56016G025 White |
| 56016G825 Dark Chocolate | 56016G830 Marble | 56016G091 Unfinished |

6' Fluted Pole



| Diameter | Length | Quantity per Box |
|----------|--------|------------------|
| 1 3/8" | 6' | 6 pieces per box |

Product Number & Finish

| | | |
|--------------------------|----------------------|----------------------|
| 56006G059 Black | 56006G820 Estate Oak | 56006G835 Truffle |
| 56006G841 Coffee | 56006G083 Mahogany | 56006G025 White |
| 56006G825 Dark Chocolate | 56006G830 Marble | 56006G091 Unfinished |

1 3/8" Poles

8' Smooth Pole



| Diameter | Length | Quantity per Box |
|----------|--------|------------------|
| 1 3/8" | 8' | 6 pieces per box |

Product Number & Finish

| | | |
|--------------------------|----------------------|----------------------|
| 56018G059 Black | 56018G820 Estate Oak | 56018G835 Truffle |
| 56018G841 Coffee | 56018G083 Mahogany | 56018G025 White |
| 56018G825 Dark Chocolate | 56018G830 Marble | 56018G091 Unfinished |

8' Fluted Pole



| Diameter | Length | Quantity per Box |
|----------|--------|------------------|
| 1 3/8" | 8' | 6 pieces per box |

Product Number & Finish

| | | |
|--------------------------|----------------------|----------------------|
| 56008G059 Black | 56008G820 Estate Oak | 56008G835 Truffle |
| 56008G841 Coffee | 56008G083 Mahogany | 56008G025 White |
| 56008G825 Dark Chocolate | 56008G830 Marble | 56008G091 Unfinished |

12' Smooth Pole

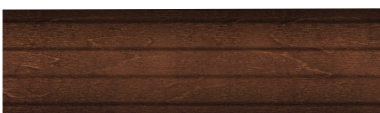


| Diameter | Length | Quantity per Box |
|----------|--------|------------------|
| 1 3/8" | 12' | 6 pieces per box |

Product Number & Finish

| | | |
|---------------------------|-----------------------|-----------------------|
| 560112G059 Black | 560112G820 Estate Oak | 560112G835 Truffle |
| 560112G841 Coffee | 560112G083 Mahogany | 560112G025 White |
| 560112G825 Dark Chocolate | 560112G830 Marble | 560112G091 Unfinished |

12' Fluted Pole



| Diameter | Length | Quantity per Box |
|----------|--------|------------------|
| 1 3/8" | 12' | 6 pieces per box |

Product Number & Finish

| | | |
|---------------------------|-----------------------|-----------------------|
| 560012G059 Black | 560012G820 Estate Oak | 560012G835 Truffle |
| 560012G841 Coffee | 560012G083 Mahogany | 560012G025 White |
| 560012G825 Dark Chocolate | 560012G830 Marble | 560012G091 Unfinished |

1 3/8" Estate™ Traverse Rods

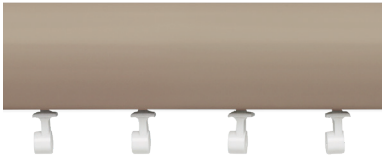
To learn more about the technical specs on Estate Traverse Rods and AMP™ Motorization, see pages 36-39.

Assembled Set with Slides



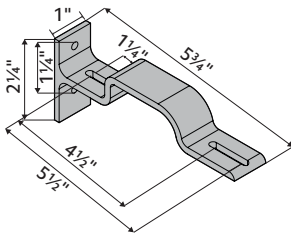
| Manual Traversing Rods with Selected Carriers | | | | |
|--|----------------|----------|------------|------------------|
| Unit of Measure | | | | |
| Foot | | | | |
| AMP™ Motorization Upcharge | | | | |
| Charger, item #62201300 included. Remotes sold separately. | | | | |
| Product Number & Finish | | | | |
| 94675059 | Black | 94675820 | Estate Oak | 94675835 Truffle |
| 94675841 | Coffee | 94675083 | Mahogany | 94675025 White |
| 94675825 | Dark Chocolate | 94675830 | Marble | |

Assembled Set with Wheeled Ripplefold™ Carriers



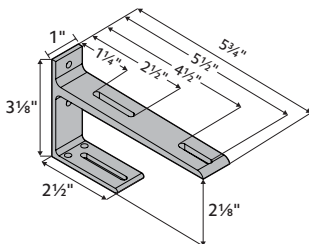
| Manual Traversing Rods with Selected Carriers | | | | |
|--|----------------|----------|------------|------------------|
| Unit of Measure | | | | |
| Foot | | | | |
| AMP™ Motorization Upcharge | | | | |
| Charger, item #62201300 included. Remotes sold separately. | | | | |
| Product Number & Finish | | | | |
| 94676058 | Black | 94676820 | Estate Oak | 94676835 Truffle |
| 94676841 | Coffee | 94676083 | Mahogany | 94676025 White |
| 94676825 | Dark Chocolate | 94676830 | Marble | |

Double Bracket



| Fits | Dimensions | Quantity per Box |
|--|--|-------------------|
| 1 3/8" Estate™ Traverse Rods 2" Estate™ Traverse Rods | Depth: 5 3/4" Height: 2 1/4" Width: 1" | 10 pieces per box |
| Product Number & Finish | | |
| 71134110 | Satin Brass | |

Double Bracket



| Fits | Dimensions | Quantity per Box |
|--|--|-----------------------|
| 1 3/8" Estate™ Traverse Rods 2" Estate™ Traverse Rods | Depth: 5 3/4" Height: 3 1/8" Width: 1" | 10 pieces per box |
| Product Number & Finish | | |
| 71132062 | Antique Brass | 71132110 Satin Brass |
| 71132006 | Black | 71132012 Satin Nickel |














Miller | Mahogany

1 3/8" Estate™ Traverse Rod Components

To learn more about the technical specs on Estate Traverse Rods and AMP™ Motorization, see pages 36-39.

| Item | Product No. & Finish | Description | Quantity Per Box |
|---|----------------------------------|--|-------------------|
|  | 62101000 White 62101010 Black | AMP Remote Control RF 2W 15 Channel | 1 piece per box |
|  | 62201300 White | AMP Battery Charger 16.5V/0.89A | 1 piece per box |
|  | 62102000 White | AMP Gateway USB Bridge | 1 piece per box |
|  | 62109000 White | AMP Wall Switch Surface RF 2W 15 Channel | 1 piece per box |
|  | 62108000 White | AMP Wall Switch RF 2W 15 Channel | 1 piece per box |
|  | 2989899000 | 15" Cable Assembly | 10 pieces per box |
|  | 1026661 | 4' Cable Assembly | 10 pieces per box |
|  | 2989901000 | 10' Cable Assembly | 10 pieces per box |
|  | 2989902000 | 20' Cable Assembly | 10 pieces per box |

1 3/8" Rings

Ring with Eyelet



| Fits | Dimensions | Quantity per Box |
|---------------------------|--|--------------------------------------|
| 1 3/8" Wood Trends™ Poles | Internal: 1 7/8" External: 2 7/8" External to eyelet: 3 1/4" | 10 bags per box - 7 rings per bag |

| Product Number & Finish | | |
|--------------------------|----------------------|----------------------|
| 5602EG059 Black | 5602EG820 Estate Oak | 5602EG835 Truffle |
| 5602EG481 Coffee | 5602EG083 Mahogany | 5602EG025 White |
| 5602EG825 Dark Chocolate | 5602EG830 Marble | 5602EG091 Unfinished |

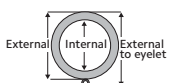
BULK - Ring with Eyelet



| Fits | Dimensions | Quantity per Box |
|---------------------------|--|-------------------|
| 1 3/8" Wood Trends™ Poles | Internal: 1 7/8" External: 2 7/8" External to eyelet: 3 1/4" | 70 pieces per box |

| Product Number & Finish | | |
|--------------------------|----------------------|----------------------|
| 5602BB059 Black | 5602BB820 Estate Oak | 5602BB835 Truffle |
| 5602BB841 Coffee | 5602BB083 Mahogany | 5602BB025 White |
| 5602BB825 Dark Chocolate | 5602BB830 Marble | 5602BB091 Unfinished |

Metal clip, item 5605BB063 can be ordered separately.



Use the measurement guide to the left to help determine the correct dimensions for your selected product.

1 3/8" Brackets

3 1/2" Return Wood Bracket



| Fits | Dimensions | Quantity per Box |
|---------------------------|--|----------------------|
| 1 3/8" Wood Trends™ Poles | Depth: 5 1/4" Height: 3 3/4" Width: 7/8" Wall to Pole: 3" Return: 3 1/2" | 10 pieces per box |
| Product Number & Finish | | |
| 5611EG059 Black | 5611EG820 Estate Oak | 5611EG835 Truffle |
| 5611EG841 Coffee | 5611EG083 Mahogany | 5611EG025 White |
| 5611EG825 Dark Chocolate | 5611EG830 Marble | 5611EG091 Unfinished |

BULK - 3 1/2" Return Wood Bracket



| Fits | Dimensions | Quantity per Box |
|---------------------------|--|----------------------|
| 1 3/8" Wood Trends™ Poles | Depth: 5 1/4" Height: 3 3/4" Width: 7/8" Wall to Pole: 3" Return: 3 1/2" | 20 pieces per box |
| Product Number & Finish | | |
| 5611BB059 Black | 5611BB820 Estate Oak | 5611BB835 Truffle |
| 5611BB841 Coffee | 5611BB083 Mahogany | 5611BB025 White |
| 5611BB825 Dark Chocolate | 5611BB830 Marble | 5611BB091 Unfinished |

4 1/4" Return Wood Bracket



| Fits | Dimensions | Quantity per Box |
|---------------------------|--|---------------------|
| 1 3/8" Wood Trends™ Poles | Depth: 5 1/2" Height: 2 5/8" Width: 1" Wall to Pole: 3 1/2" Return: 4 1/4" | 10 pieces per box |
| Product Number & Finish | | |
| 5691G059 Black | 5691G820 Estate Oak | 5691G835 Truffle |
| 5691G841 Coffee | 5691G083 Mahogany | 5691G025 White |
| 5691G825 Dark Chocolate | 5691G830 Marble | 5691G091 Unfinished |

6" Return Wood Bracket



| Fits | Dimensions | Quantity per Box |
|---------------------------|--|----------------------|
| 1 3/8" Wood Trends™ Poles | Depth: 7 5/8" Height: 4" Width: 7/8" Wall to Pole: 5 1/4" Return: 6" | 5 pairs per box |
| Product Number & Finish | | |
| 5614EG059 Black | 5614EG820 Estate Oak | 5614EG835 Truffle |
| 5614EG841 Coffee | 5614EG083 Mahogany | 5614EG025 White |
| 5614EG825 Dark Chocolate | 5614EG830 Marble | 5614EG091 Unfinished |



Use the measurement guide to the left to help determine the correct dimensions for your selected product.

1 3/8" Brackets

Ceiling Mount Bracket



| Fits | Dimensions | Quantity per Box |
|---------------------------|--|------------------|
| 1 3/8" Wood Trends™ Poles | Depth: 5" Height: 4 3/4" Width: 1" Ceiling to Pole: 4" Back Edge to Pole: 2 7/8" | 5 pieces per box |

Product Number & Finish

| | | |
|--------------------------------|----------------------------|-------------------------|
| 46855059 Black | 46855820 Estate Oak | 46855835 Truffle |
| 46855841 Coffee | 46855083 Mahogany | 46855025 White |
| 46855825 Dark Chocolate | 46855830 Marble | |

Double Bracket



| Fits | Dimensions | Quantity per Box |
|---------------------------|---|------------------|
| 1 3/8" Wood Trends™ Poles | Depth: 8" Height: 4 3/4" Width: 1" Wall to Back Pole: 2" Inner Return: 2 3/4" Outer Return: 6" | 5 pieces per box |

Product Number & Finish

| | | |
|---------------------------------|-----------------------------|--------------------------|
| 5620EG059 Black | 5620EG820 Estate Oak | 5620EG835 Truffle |
| 5620EG841 Coffee | 5620EG083 Mahogany | 5620EG025 White |
| 5620EG825 Dark Chocolate | 5620EG830 Marble | |



Use the measurement guide to the left to help determine the correct dimensions for your selected product.

1 3/8" Components

Inside Mount Socket



| Fits | Dimensions | Quantity per Box |
|---------------------------|---|------------------|
| 1 3/8" Wood Trends™ Poles | Depth: 1 9/32" Height: 1 13/16" Width: 1 13/16" | 10 pairs per box |

Product Number & Finish

| | | |
|--------------------------|----------------------|----------------------|
| 5605EG059 Black | 5605EG820 Estate Oak | 5605EG835 Truffle |
| 5605EG841 Coffee | 5605EG083 Mahogany | 5605EG025 White |
| 5605EG825 Dark Chocolate | 5605EG830 Marble | 5605EG091 Unfinished |

Swivel Socket



| Fits | Dimensions | Quantity per Box |
|---------------------------|--|------------------|
| 1 3/8" Wood Trends™ Poles | Length to Center: 2 3/8" Pole Diameter: 1 3/8" Full Length: 3 3/16" Depth of Socket: 1 1/8" | 5 pieces per box |

Product Number & Finish

| | | |
|-------------------------|---------------------|---------------------|
| 5606E059 Black | 5606E820 Estate Oak | 5606E835 Truffle |
| 5606E841 Coffee | 5606E083 Mahogany | 5606E835 White |
| 5606E825 Dark Chocolate | 5606E830 Marble | 5606E091 Unfinished |

Elbow - 3 1/2" - 5 1/2" Clearance



See page 53 for configuration

| Fits | Clearance | Quantity per Box |
|---------------------------|-----------------|-------------------|
| 1 3/8" Wood Trends™ Poles | 3 1/2" - 5 1/2" | 10 pieces per box |

Product Number & Finish

| |
|---------------------|
| 5613E091 Unfinished |
|---------------------|

Elbow - 6" - 8" Clearance

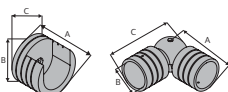


See page 53 for configuration

| Fits | Clearance | Quantity per Box |
|---------------------------|-----------|-------------------|
| 1 3/8" Wood Trends™ Poles | 6" - 8" | 10 pieces per box |

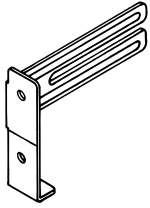
Product Number & Finish

| |
|--------------------|
| 5617091 Unfinished |
|--------------------|



1 3/8" Components

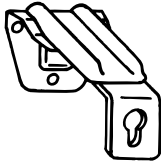
Metal Bracket



See page 53 for configuration

| Fits | Quantity per Box |
|-------------------------|------------------|
| For use on wood elbows | 20 pairs per box |
| Product Number & Finish | |
| 5623063 Brass | |

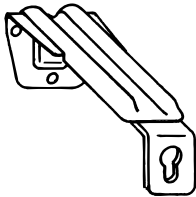
Hidden Metal Support - 2 1/2" - 3 1/2" Clearance



See page 53 for configuration

| Clearance | Quantity per Box |
|-------------------------|-------------------|
| 2 1/2" - 3 1/2" | 20 pieces per box |
| Product Number & Finish | |
| 5618063 Brass | |

Hidden Metal Support - 4" - 5 1/2" Clearance



See page 53 for configuration

| Clearance | Quantity per Box |
|-------------------------|-------------------|
| 4" - 5 1/2" | 20 pieces per bag |
| Product Number & Finish | |
| 5619063 Brass | |



Ethan | Black

2" Finials & Endcaps

Button Ball



| Fits | Dimensions | Quantity per Box |
|---|--|-------------------|
| 2" Wood Trends™ Poles 2" Estate™ Traverse Rods | Depth: 4 3/8" Height: 3 1/2" Width: 3 1/2" | 10 pieces per box |

| Product Number & Finish | | | | | |
|-------------------------|----------------|----------|------------|----------|------------|
| 46813059 | Black | 46813820 | Estate Oak | 46813835 | Truffle |
| 46813841 | Coffee | 46813083 | Mahogany | 46813025 | White |
| 46813825 | Dark Chocolate | 46813830 | Marble | 46813091 | Unfinished |

Chaucer



| Fits | Dimensions | Quantity per Box |
|---|--|-------------------|
| 2" Wood Trends™ Poles 2" Estate™ Traverse Rods | Depth: 4 3/8" Height: 3 3/4" Width: 3 3/4" | 10 pieces per box |

| Product Number & Finish | | | | | |
|-------------------------|----------------|----------|------------|----------|------------|
| 46807059 | Black | 46807820 | Estate Oak | 46807835 | Truffle |
| 46807841 | Coffee | 46807083 | Mahogany | 46807025 | White |
| 46807825 | Dark Chocolate | 46807830 | Marble | 46807091 | Unfinished |

Ethan



| Fits | Dimensions | Quantity per Box |
|---|--|-------------------|
| 2" Wood Trends™ Poles 2" Estate™ Traverse Rods | Depth: 4" Height: 4 3/4" Width: 4 3/4" | 10 pieces per box |

| Product Number & Finish | | | | | |
|-------------------------|----------------|----------|------------|----------|------------|
| 46814059 | Black | 46814820 | Estate Oak | 46814835 | Truffle |
| 46814841 | Coffee | 46814083 | Mahogany | 46814025 | White |
| 46814825 | Dark Chocolate | 46814830 | Marble | 46814091 | Unfinished |

Hugo

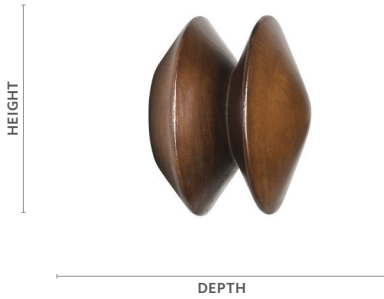


| Fits | Dimensions | Quantity per Box |
|---|--|-------------------|
| 2" Wood Trends™ Poles 2" Estate™ Traverse Rods | Depth: 2 7/8" Height: 3 3/4" Width: 3 3/4" | 10 pieces per box |

| Product Number & Finish | | | | | |
|-------------------------|----------------|----------|------------|----------|------------|
| 46815059 | Black | 46815820 | Estate Oak | 46815835 | Truffle |
| 46815841 | Coffee | 46815083 | Mahogany | 46815025 | White |
| 46815825 | Dark Chocolate | 46815830 | Marble | 46815091 | Unfinished |

2" Finials & Endcaps

Miller



| Fits | | Dimensions | | Quantity per Box |
|---|----------------|------------|-------------|---------------------|
| 2" Wood Trends™ Poles 2" Estate™ Traverse Rods | | Depth: 3½" | Height: 4½" | 10 pieces per box |
| | | Width: 4½" | | |
| Product Number & Finish | | | | |
| 46816059 | Black | 46816820 | Estate Oak | 46816835 Truffle |
| 46816841 | Coffee | 46816083 | Mahogany | 46816025 White |
| 46816825 | Dark Chocolate | 46816830 | Marble | 46816091 Unfinished |

Sherwood



| Fits | | Dimensions | | Quantity per Box |
|---|----------------|------------|------------|----------------------|
| 2" Wood Trends™ Poles 2" Estate™ Traverse Rods | | Depth: 5" | Height: 3" | 10 pieces per box |
| | | Width: 3" | | |
| Product Number & Finish | | | | |
| 5509EG059 | Black | 5509EG820 | Estate Oak | 5509EG835 Truffle |
| 5509EG841 | Coffee | 5509EG083 | Mahogany | 5509EG025 White |
| 5509EG825 | Dark Chocolate | 5509EG830 | Marble | 5509EG091 Unfinished |

Warren



| Fits | | Dimensions | | Quantity per Box |
|---|----------------|------------|-------------|---------------------|
| 2" Wood Trends™ Poles 2" Estate™ Traverse Rods | | Depth: 1⅞" | Height: 3¾" | 10 pieces per box |
| | | Width: 3¾" | | |
| Product Number & Finish | | | | |
| 46817059 | Black | 46817820 | Estate Oak | 46817835 Truffle |
| 46817841 | Coffee | 46817083 | Mahogany | 46817025 White |
| 46817825 | Dark Chocolate | 46817830 | Marble | 46817091 Unfinished |

Wood Ball



| Fits | | Dimensions | | Quantity per Box |
|---|----------------|------------|-------------|----------------------|
| 2" Wood Trends™ Poles 2" Estate™ Traverse Rods | | Depth: 5¼" | Height: 3¾" | 10 pieces per box |
| | | Width: 3¾" | | |
| Product Number & Finish | | | | |
| 5508EG059 | Black | 5508EG820 | Estate Oak | 5508EG835 Truffle |
| 5508EG841 | Coffee | 5508EG083 | Mahogany | 5508EG025 White |
| 5508EG825 | Dark Chocolate | 5508EG830 | Marble | 5508EG091 Unfinished |

2" Finials & Endcaps

Endcap



| Fits | Dimensions | Quantity per Box |
|---|---------------------------------------|------------------|
| 2" Wood Trends™ Poles 2" Estate™ Traverse Rods | Depth: 1½" Height: 3" Width: 3" | 10 pairs per box |

| Product Number & Finish | | | | | |
|-------------------------|----------------|----------|------------|----------|------------|
| 46808059 | Black | 46808820 | Estate Oak | 46808835 | Truffle |
| 46808841 | Coffee | 46808083 | Mahogany | 46808025 | White |
| 46808825 | Dark Chocolate | 46808830 | Marble | 46808091 | Unfinished |



Chaucer | Dark Chocolate

1 3/8" Fluted Pole | Estate Oak

2" Fluted Pole | Black

2" Smooth Pole | Marble

1 3/8" Smooth Pole | Coffee



2" Poles

4' Smooth Pole



| Diameter | Length | Quantity per Box |
|----------|--------|------------------|
| 2" | 4' | 2 pieces per box |

Product Number & Finish

| | | |
|--------------------------|----------------------|----------------------|
| 55014G059 Black | 55014G820 Estate Oak | 55014G835 Truffle |
| 55014G841 Coffee | 55014G083 Mahogany | 55014G025 White |
| 55014G825 Dark Chocolate | 55014G830 Marble | 55014G091 Unfinished |

4' Fluted Pole



| Diameter | Length | Quantity per Box |
|----------|--------|------------------|
| 2" | 4' | 2 pieces per box |

Product Number & Finish

| | | |
|--------------------------|----------------------|----------------------|
| 55004G059 Black | 55004G820 Estate Oak | 55004G835 Truffle |
| 55004G841 Coffee | 55004G083 Mahogany | 55004G025 White |
| 55004G825 Dark Chocolate | 55004G830 Marble | 55004G091 Unfinished |

6' Smooth Pole



| Diameter | Length | Quantity per Box |
|----------|--------|------------------|
| 2" | 6' | 2 pieces per box |

Product Number & Finish

| | | |
|--------------------------|----------------------|----------------------|
| 55016G059 Black | 55016G820 Estate Oak | 55016G835 Truffle |
| 55016G841 Coffee | 55016G083 Mahogany | 55016G025 White |
| 55016G825 Dark Chocolate | 55016G830 Marble | 55016G091 Unfinished |

6' Fluted Pole



| Diameter | Length | Quantity per Box |
|----------|--------|------------------|
| 2" | 6' | 2 pieces per box |

Product Number & Finish

| | | |
|--------------------------|----------------------|----------------------|
| 55006G059 Black | 55006G820 Estate Oak | 55006G835 Truffle |
| 55006G841 Coffee | 55006G083 Mahogany | 55006G025 White |
| 55006G825 Dark Chocolate | 55006G830 Marble | 55006G091 Unfinished |

2" Poles

8' Smooth Pole



| Diameter | Length | Quantity per Box |
|----------|--------|------------------|
| 2" | 8' | 2 pieces per box |

| Product Number & Finish | | |
|--------------------------|----------------------|----------------------|
| 55018G059 Black | 55018G820 Estate Oak | 55018G835 Truffle |
| 55018G841 Coffee | 55018G083 Mahogany | 55018G025 White |
| 55018G825 Dark Chocolate | 55018G830 Marble | 55018G091 Unfinished |

8' Fluted Pole



| Diameter | Length | Quantity per Box |
|----------|--------|------------------|
| 2" | 8' | 2 pieces per box |

| Product Number & Finish | | |
|--------------------------|----------------------|----------------------|
| 55008G059 Black | 55008G820 Estate Oak | 55008G835 Truffle |
| 55008G841 Coffee | 55008G083 Mahogany | 55008G025 White |
| 55008G825 Dark Chocolate | 55008G830 Marble | 55008G091 Unfinished |

12' Smooth Pole



| Diameter | Length | Quantity per Box |
|----------|--------|------------------|
| 2" | 12' | 2 pieces per box |

| Product Number & Finish | | |
|---------------------------|-----------------------|-----------------------|
| 550112G059 Black | 550112G820 Estate Oak | 550112G835 Truffle |
| 550112G841 Coffee | 550112G083 Mahogany | 550112G025 White |
| 550112G825 Dark Chocolate | 550112G830 Marble | 550112G091 Unfinished |

12' Fluted Pole



| Diameter | Length | Quantity per Box |
|----------|--------|------------------|
| 2" | 12' | 2 pieces per box |

| Product Number & Finish | | |
|---------------------------|-----------------------|-----------------------|
| 550012G059 Black | 550012G820 Estate Oak | 550012G835 Truffle |
| 550012G841 Coffee | 550012G083 Mahogany | 550012G025 White |
| 550012G825 Dark Chocolate | 550012G830 Marble | 550012G091 Unfinished |

2" Estate™ Traverse Rods

To learn more about the technical specs on Estate Traverse Rods and AMP™ Motorization, see pages 36-39.

Assembled Set with Slides



Manual Traversing Rods with Selected Carriers

Unit of Measure

Foot

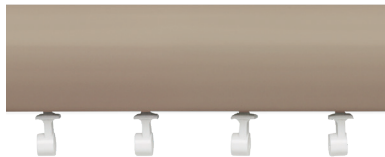
AMP™ Motorization Upcharge

Charger, item #62201300 included. Remotes sold separately.

Product Number & Finish

| | | | | | |
|----------|----------------|----------|------------|----------|---------|
| 95675059 | Black | 95675820 | Estate Oak | 95675835 | Truffle |
| 95675841 | Coffee | 95675083 | Mahogany | 95675025 | White |
| 95675825 | Dark Chocolate | 95675830 | Marble | | |

Assembled Set with Wheeled Ripplefold™ Carriers



Manual Traversing Rods with Selected Carriers

Unit of Measure

Foot

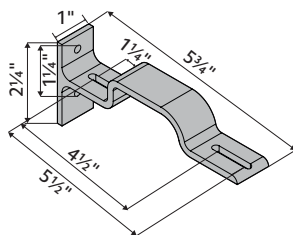
AMP™ Motorization Upcharge

Charger, item #62201300 included. Remotes sold separately.

Product Number & Finish

| | | | | | |
|----------|----------------|----------|------------|----------|---------|
| 95676058 | Black | 95676820 | Estate Oak | 95676835 | Truffle |
| 95676841 | Coffee | 95676083 | Mahogany | 95676025 | White |
| 95676825 | Dark Chocolate | 95676830 | Marble | | |

Double Bracket



Fits

1 3/8" Estate™ Traverse Rods
2" Estate™ Traverse Rods

Dimensions

Depth: 5 3/4"
Height: 2 1/4"
Width: 1"

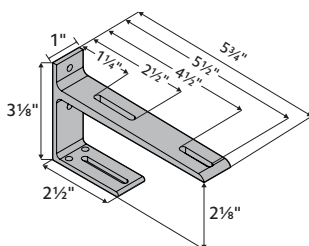
Quantity per Box

10 pieces per box

Product Number & Finish

71134110 Satin Brass

Double Bracket



Fits

1 3/8" Estate™ Traverse Rods
2" Estate™ Traverse Rods

Dimensions

Depth: 5 3/4"
Height: 3 1/8"
Width: 1"

Quantity per Box










10 pieces per box

Product Number & Finish

| | | | |
|----------|---------------|----------|--------------|
| 71132062 | Antique Brass | 71132110 | Satin Brass |
| 71132006 | Black | 71132012 | Satin Nickel |

2" Estate™ Traverse Rod Components

To learn more about the technical specs on Estate Traverse Rods and AMP™ Motorization, see pages 36-39.

| Item | Product No. & Finish | Description | Quantity Per Box |
|---|----------------------------------|--|-------------------|
|  | 62101000 White 62101010 Black | AMP Remote Control RF 2W 15 Channel | 1 piece per box |
|  | 62201300 White | AMP Battery Charger 16.5V/0.89A | 1 piece per box |
|  | 62102000 White | AMP Gateway USB Bridge | 1 piece per box |
|  | 62109000 White | AMP Wall Switch Surface RF 2W 15 Channel | 1 piece per box |
|  | 62108000 White | AMP Wall Switch RF 2W 15 Channel | 1 piece per box |
|  | 2989899000 | 15" Cable Assembly | 10 pieces per box |
|  | 1026661 | 4' Cable Assembly | 10 pieces per box |
|  | 2989901000 | 10' Cable Assembly | 10 pieces per box |
|  | 2989902000 | 20' Cable Assembly | 10 pieces per box |

2" Rings

Ring with Eyelet



| Fits | Dimensions | Quantity per Box |
|-----------------------|---|--------------------------------------|
| 2" Wood Trends™ Poles | Internal: 2¾" External: 3⅝" External to eyelet: 4¼" | 10 bags per box - 4 rings per bag |

| Product Number & Finish | | |
|--------------------------|----------------------|----------------------|
| 5502EG059 Black | 5502EG820 Estate Oak | 5502EG835 Truffle |
| 5502EG481 Coffee | 5502EG083 Mahogany | 5502EG025 White |
| 5502EG825 Dark Chocolate | 5502EG830 Marble | 5502EG091 Unfinished |

Metal clip, item 5605BB063 can be ordered separately.

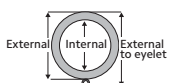


Rings with
Removable Clips

- Estate Oak
- Coffee
- Truffle
- Black
- Marble

Rings with Eyelet

- White
- Black
- Mahogany
- Estate Oak



Use the measurement guide to the left to help determine the correct dimensions for your selected product.

2" Brackets

3½" Return Wood Bracket



| Fits | Dimensions | Quantity per Box |
|-----------------------|--|-------------------|
| 2" Wood Trends™ Poles | Depth: 5⅝" Height: 4¾" Width: 1" Wall to Pole: 2½" Return: 3½" | 10 pieces per box |

| Product Number & Finish | | |
|--------------------------|----------------------|----------------------|
| 5503EG059 Black | 5503EG820 Estate Oak | 5503EG835 Truffle |
| 5503EG841 Coffee | 5503EG083 Mahogany | 5503EG025 White |
| 5503EG825 Dark Chocolate | 5503EG830 Marble | 5503EG091 Unfinished |

6" Return Wood Bracket



| Fits | Dimensions | Quantity per Box |
|-----------------------|---|------------------|
| 2" Wood Trends™ Poles | Depth: 8" Height: 4¾" Width: 1" Wall to Pole: 5" Return: 6" | 5 pieces per box |

| Product Number & Finish | | |
|--------------------------|----------------------|----------------------|
| 5511EG059 Black | 5511EG820 Estate Oak | 5511EG835 Truffle |
| 5511EG841 Coffee | 5511EG083 Mahogany | 5511EG025 White |
| 5511EG825 Dark Chocolate | 5511EG830 Marble | 5511EG091 Unfinished |

Ceiling Mount Bracket



| Fits | Dimensions | Quantity per Box |
|-----------------------|--|------------------|
| 2" Wood Trends™ Poles | Depth: 6" Height: 6" Width: 1" Ceiling to Pole: 5⅝" Back Edge to Pole: 2⅞" | 5 pieces per box |

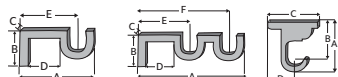
| Product Number & Finish | | |
|-------------------------|---------------------|------------------|
| 46850059 Black | 46850820 Estate Oak | 46850835 Truffle |
| 46850841 Coffee | 46850083 Mahogany | 46850025 White |
| 46850825 Dark Chocolate | 46850830 Marble | |

Double Bracket



| Fits | Dimensions | Quantity per Box |
|--|---|------------------|
| Front: 2" Wood Trends™ Poles Back: 1⅜" Wood Trends™ Poles | Depth: 9" Height: 4¾" Width: 1" Wall to Back Pole: 2⅜" Inner Return: 3" Outer Return: 7" | 5 pieces per box |

| Product Number & Finish | | |
|--------------------------|----------------------|-------------------|
| 5520EG059 Black | 5520EG820 Estate Oak | 5520EG835 Truffle |
| 5520EG841 Coffee | 5520EG083 Mahogany | 5520EG025 White |
| 5520EG825 Dark Chocolate | 5520EG830 Marble | |



Use the measurement guide to the left to help determine the correct dimensions for your selected product.

2" Components

Swivel Socket



| Fits | Dimensions | Quantity per Box |
|--------------------------|---|----------------------|
| 2" Wood Trends™ Poles | Length to Center: 3½" Pole Diameter: 2⅛" Full Length: 4⅞" Depth of Socket: 1¾" | 5 pieces per box |
| Product Number & Finish | | |
| 5506EG059 Black | 5506EG820 Estate Oak | 5506EG835 Truffle |
| 5506EG841 Coffee | 5506EG083 Mahogany | 5506EG025 White |
| 5506EG825 Dark Chocolate | 5506EG830 Marble | 5506EG091 Unfinished |

Elbow - 3½"-5½" Clearance



| Fits | Clearance | Quantity per Box |
|-------------------------|------------|-------------------|
| 2" Wood Trends™ Poles | 3½"-5½" | 10 pieces per box |
| Product Number & Finish | | |
| 5513091 | Unfinished | |

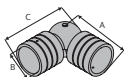
See page 53 for configuration

Elbow - 6"-8" Clearance



| Fits | Clearance | Quantity per Box |
|-------------------------|------------|-------------------|
| 2" Wood Trends™ Poles | 6"-8" | 10 pieces per box |
| Product Number & Finish | | |
| 5517091 | Unfinished | |

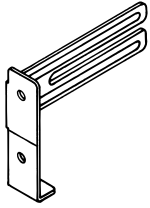
See page 53 for configuration



Use the measurement guide to the left to help determine the correct dimensions for your selected product.

2" Components

Metal Bracket

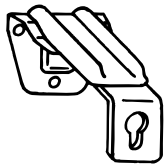


See page 53 for configuration

| Fits | Quantity per Box |
|------------------------|-------------------|
| For use on wood elbows | 20 pieces per box |

| Product Number & Finish |
|-------------------------|
| 5623063 Brass |

Hidden Metal Support - 2½"-3½" Clearance

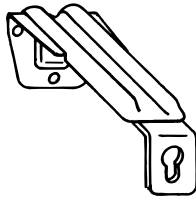


See page 53 for configuration

| Clearance | Quantity per Box |
|-----------|-------------------|
| 2½"-3½" | 20 pieces per box |

| Product Number & Finish |
|-------------------------|
| 5618063 Brass |

Hidden Metal Support - 4"-5½" Clearance



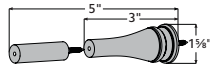
See page 53 for configuration

| Clearance | Quantity per Box |
|-----------|-------------------|
| 4"-5½" | 20 pieces per bag |

| Product Number & Finish |
|-------------------------|
| 5619063 Brass |

Accessories & Components

3¾" Holdback Medallion



| Dimensions | Quantity per Box |
|---|------------------|
| Depth: 3"-5" Adjustable post arm with 3" or 5" clearance included. Height: 3¾" Width: 3¾" | 4 pairs per box |

| Product Number & Finish | | | | | |
|-------------------------|----------------|----------|------------|----------|---------|
| 46865059 | Black | 46865820 | Estate Oak | 46865835 | Truffle |
| 46865841 | Coffee | 46865083 | Mahogany | 46865025 | White |
| 46865825 | Dark Chocolate | 46865830 | Marble | | |

Pole Connector



| Fits | Quantity per Box |
|------------------------|-------------------|
| All Wood Trends™ Poles | 20 pieces per box |

| Product Number & Finish | |
|-------------------------|-------------|
| 5610E061 | Zinc Plated |

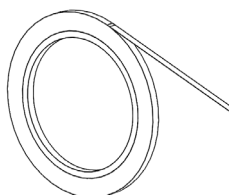
Metal Clip



| Dimensions | Quantity per Box |
|--------------------|-------------------|
| Rings with Eyelets | 50 pieces per bag |

| Product Number & Finish | |
|-------------------------|-------|
| 5605BB063 | Brass |

Teflon Tape



| Dimensions | Quantity per Box |
|--------------|------------------|
| 54' per roll | 1 roll per bag |

| Product Number & Finish | |
|-------------------------|-------|
| 84990000 | Clear |

Teflon tape is used on stationary poles to help rings slide smoothly across the pole.

AMP™ Motorization

Why AMP™?

The slim design of the quiet, yet powerful motor and the position on the track allows the motor to tuck seamlessly behind your drapery panel so you'll never have to sacrifice your style or comfort. For safety measures, you're able to move the draperies with a gentle tug, allowing for operation when a remote is not present or if a guest is unaware of the motorization feature. The dual battery and AC power sources allows operation in case of a power outage so draperies may be opened in the event of an emergency. AMP™ Motorization is available on our most popular traversing tracks, Estate and Architrac® Series 94001 and in drapery header styles Ripplefold™ and pleated for a variety of styling options. This is comfortable living at its finest.

For AMP™ Motorization brochure, programming instructions and installation instructions, please visit the drapery hardware resource library at kirsch.com.

Benefits & Features

AMP™ Motorization

- Motor mounts to the back of the track which allows a seamless look between motorized and manual traverse rods
- Drapery fabrication does not need to change between manually controlled draperies and motorized draperies; No additional returns or any special instructions
- Limits are set automatically after installation
- Remote control is radio frequency and easily pairs with the motor
- Tug feature; when drapery is pulled the motor will traverse the drapery
- AMP™ App with AMP™ USB Bridge
- Architrac® Series 94001 Rods with AMP™ cannot be bent or curved

Frequently Asked Questions

What is the weight capacity?

64 lbs Motor is rated to 64 lbs. Be sure not to exceed the Estate or Architrac track specifications to ensure your motor operates optimally.

Can you double the weight capacity by using two motors?

No Only use one motor per rod.

Does AMP™ offer limit setting?

Yes The motor automatically sets its limits.

Does AMP™ offer touch control?

Yes The tug feature allows you to pull on the drapery and the motor will automatically open or close your draperies.

How long is the power cord?

6 ft The durable, non-extendable power cord is extra long for out of reach places. Any extra can be rolled and secured for a tidy look. Cable extensions are available in 15", 4', 10' and 20' lengths to reach outlets that are farther away from the motor.

Is there a wall switch?

Yes There are Flush Mount and Surface Mount Wall Switches available.

Does AMP™ offer a warranty?

Yes See the Kirsch Warranty document for more information.

Download the AMP™ APP to get started

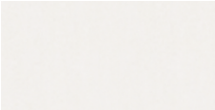


AMP™ Motorization Overview

Overview

- Soft start/stop & manual operation
- Tug feature: when drapery is pulled the motor will traverse the drapery
- Automatic limits on end stop
- Favorite/intermediate position
- Dry contact for external control
- RF Remote and wall switches
- Setting with buttons on motor units
- Setting with external dry contact switch
- LED Indicators
- One-Way and Two-Way Draw
- Pleated
- Ripplefold™
- AMP™ App with AMP™ USB Bridge

Available Colors

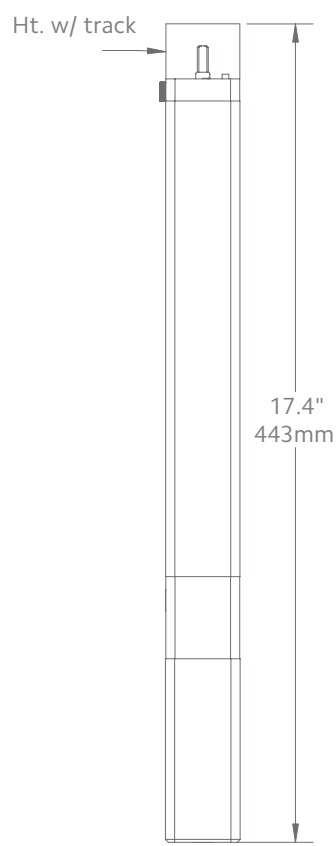


White

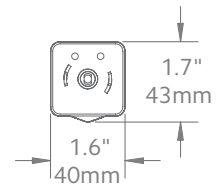
Side View



Front View



Bottom View



| Motor Unit | Product No. |
|--------------------|-------------|
| AMP™ Drapery Motor | 62001300 |

| Technical Specs | AMP™ Motor |
|----------------------|---|
| Power Supply | DC 16.5V-0.89A (100-240VAC 50/60Hz 0.5A) |
| Amperage | 2.55Ah |
| Average Linear Speed | 7.8inches/sec |
| Power Consumption | 40 watts |
| Torque | 1.2Nm |
| Power Cable Length | 6 feet |
| Variable Speed | 80, 100 & 120 rpm |
| Certifications | UL/CE |
| Max. Track Length | Estate™ - 16 ft Architrac™ 94001 - 16 ft |
| Max. Load | 64 lbs |

Follow track specifications for drapery weight.

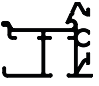

Estate™ Overview

To help determine which system is right for your project, use the guideline below to select the best fit. For more detailed information about each track, please visit our resource library at kirsch.com.

| Estate™ Series | Buckingham® | Designer Metals™ | Wood Trends™ | Wrought Iron | Varia | Chroma |
|---|-------------|------------------|--------------|--------------|-------|--------|
| What is your preferred size? | | | | | | |
| 1 3/8" | • | • | • | • | | |
| 2" | • | • | • | | • | • |
| What is your preferred Draw type? | | | | | | |
| Motorized | • | • | • | • | • | • |
| Manual | • | • | • | • | • | • |
| What is your preferred Drapery Heading type? | | | | | | |
| Pleated | • | • | • | • | • | • |
| Ripplefold™ | • | • | • | • | • | • |
| What is your mounting location? | | | | | | |
| Ceiling Mount* | • | • | • | • | • | • |
| Wall Mount | • | • | • | • | • | • |
| What is your preferred look? | | | | | | |
| With rings | | • | | | | |
| Without rings | • | • | • | • | • | • |

*Finial choices may be limited for ceiling mounted Estate™ Rods.

Track Performance Data

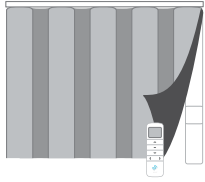
| Style | Heading Style | Mount | Draw | Minimum Track Length | Maximum Track Length | Minimum Fabric Weight | Lbs. per Ft. |
|---|----------------------|---------------|---------|----------------------|----------------------|-----------------------|--------------|
|  83611 1 3/8" Estate™ Manual or Motorized Draw | Pleated, Ripplefold™ | Ceiling, Wall | One-Way | 18 in | 16 ft | 64 lbs | 4 |
| | | | Two-Way | 18 in | 16 ft | 64 lbs | 4 |
|  93601 2" Estate™ Manual or Motorized Draw | Pleated, Ripplefold™ | Ceiling, Wall | One-Way | 18 in | 16 ft | 64 lbs | 4 |
| | | | Two-Way | 18 in | 16 ft | 64 lbs | 4 |

*Maximum track lengths and maximum fabric weight do not apply to curved track. Check with customer service for feasibility. Send complete specifications and fabric weight.

Operating Systems

Motorized Draw

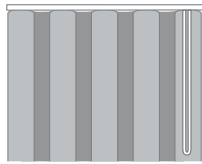
AMP™ Motorization



- Easy to use
- Quiet, powerful motor
- Pleated or Ripplefold™
- For Estate™ Traverse Rods or Architrac® Series 94001
- For more information, see page 46

Manual Draw

Cord Draw



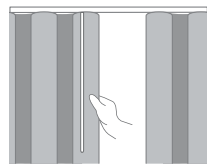
- Easy to use
- Pleated or Ripplefold™

Hand/Baton Draw



- Easy to use
- A gentle tug allows drapery to glide across track
- Pleated or Ripplefold™

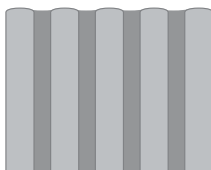
Baton Duplex Draw



- Easy to use
- Used on split draw rods
- Pleated or Ripplefold™
- When the baton is pulled on one stack, draperies on both sides of the traverse rod open or close

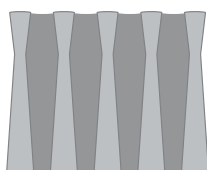
Header Styles

Ripplefold™



- Panels can be pressed flat, yet fall into fold
- No hooks or pins
- Headings are suspended under track
- Stack back is less than conventional pleated draperies
- Draperies snap on/off carriers for easy installation
- Interior drapery appearance is identical to exterior-facing appearance

Pleated



- A classic header option
- Can be used with most track systems using slip-in or pin-on hooks
- Headings can be suspended under the track or over the face of the track to conceal hardware
- Four carriers per foot is standard, additional carriers or rings can be ordered

Bracket Spacing & Mount Options

Place bracket at each end, place next bracket a maximum of 24" from first, then place remaining brackets at 48" intervals over the remainder of the track. Spacing may need to be shorted for heavier draperies. All mounting options are compatible with our AMP™ Motorization.



Wall Mount using parts:

To achieve this look, order Estate rod, wall mount and all components will be included.

94129061
Zinc



or

1856973
Satin Nickel



or

1856978
Brushed Bronze

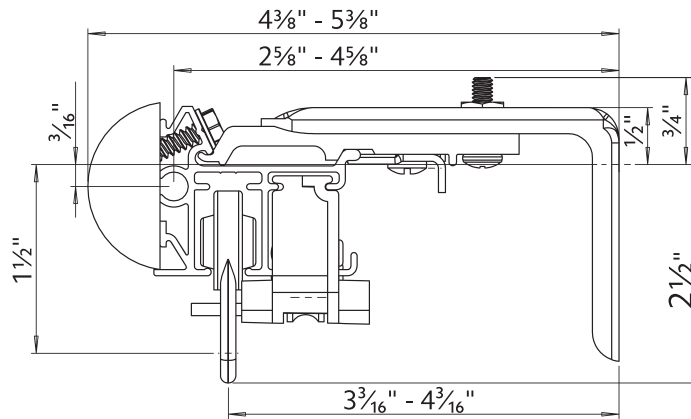


or

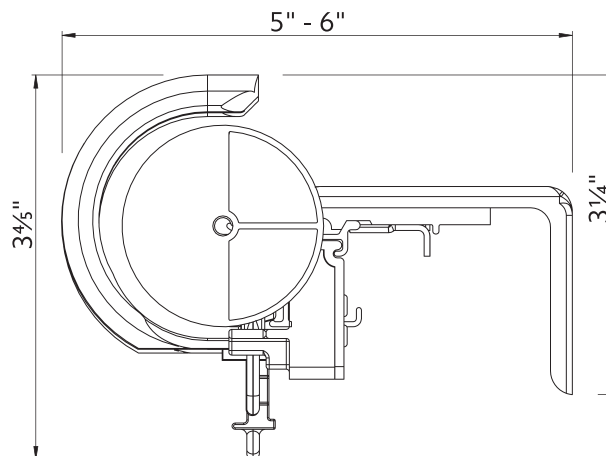
1857324
Black



1 3/8" Wall Mount



2" Wall Mount



Ceiling Mount using parts:

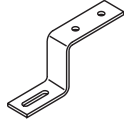
To achieve this look, order Estate rod, ceiling mounted. 94130xxx brackets are included with the rod. Then order item 1796061 ceiling mount bracket in the quantity needed based on the bracket spacing drawing on page 40.

94130xxx

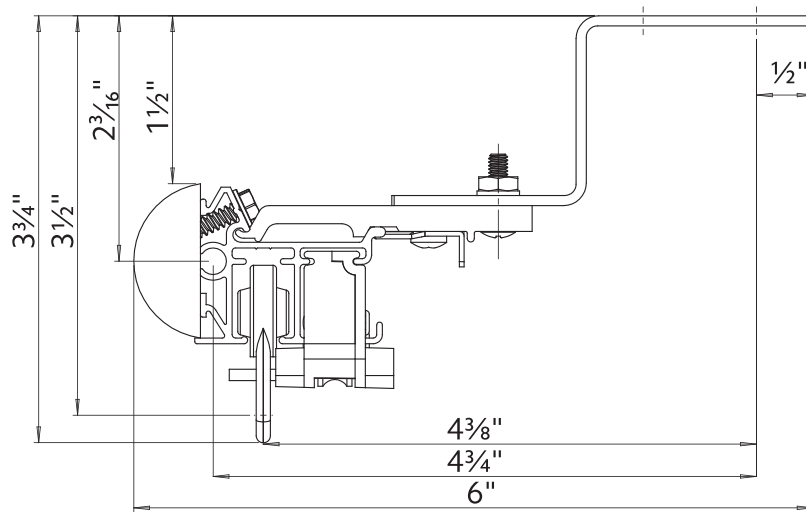


⊗

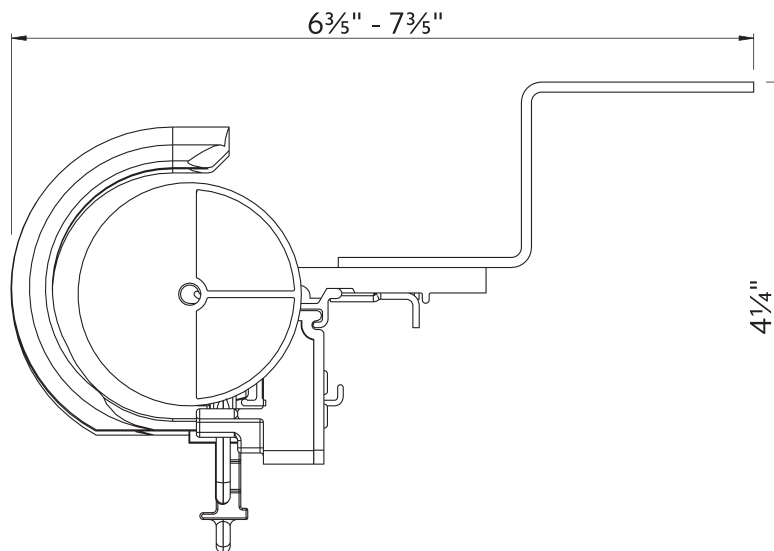
1796061



1 3/8" Ceiling Mount



2" Ceiling Mount



Double Wall Mount using parts:

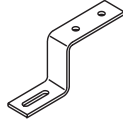
To achieve this look, order Estate rod, ceiling mounted. 94130xxx brackets are included with the rod. Then order one, item 94125xxx double bracket and two, item 1796061 ceiling mount brackets multiplied by the quantity needed based on the bracket spacing drawing on page 40.

94125xxx



⊕

1796061

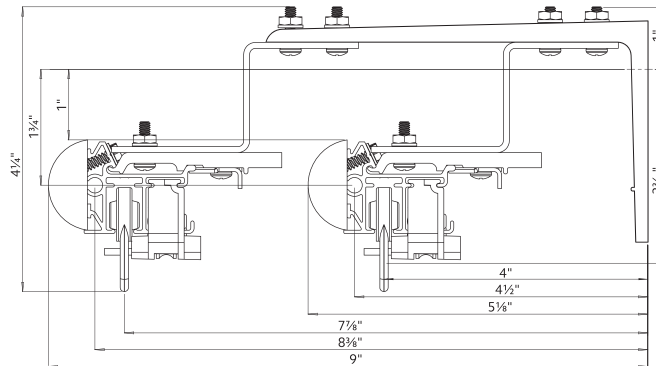


⊕

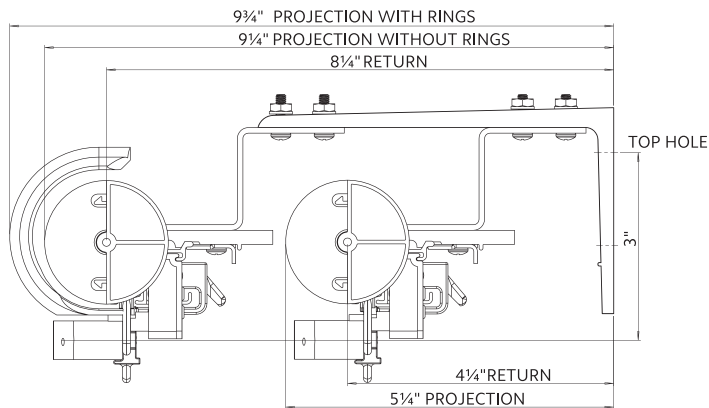
94130xxx



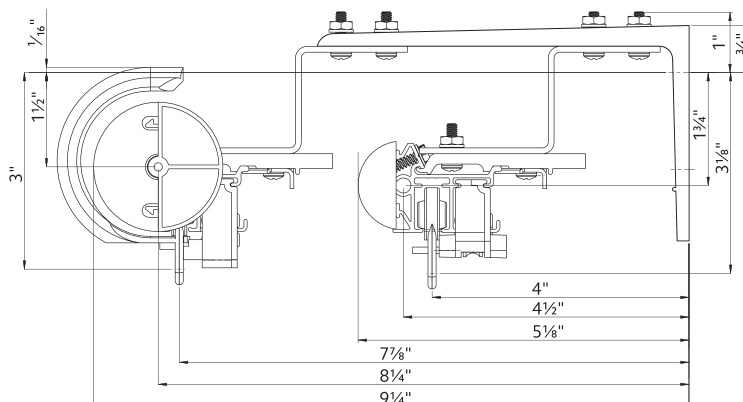
1 3/8" Double Wall Mount



2" Double Wall Mount



2" Front & 1 3/8" Back Double Wall Mount



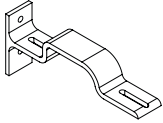
Double Wall Mount using parts:

To achieve this look, order Estate rod ceiling mounted. 94130xxx brackets are included with the rod. Then order one, item 71134110 double bracket in the quantity needed based on the bracket spacing drawing on page 40.

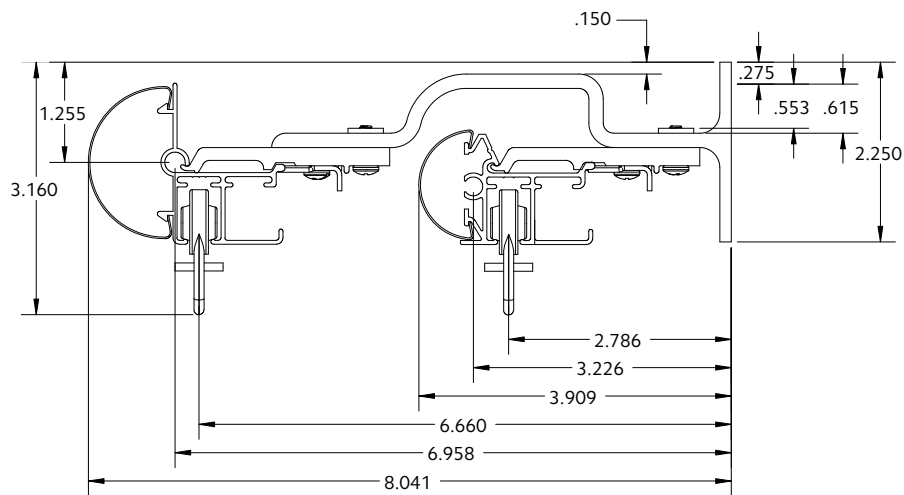
71134110

&

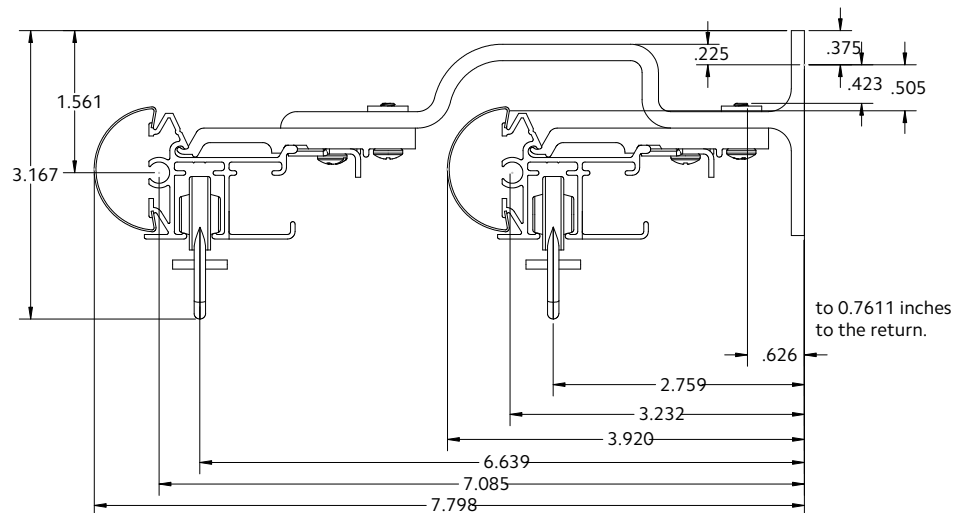
94130xxx



2" Front & 1 3/8" Back Double Wall Mount



1 3/8" Front & 1 3/8" Back Double Wall Mount



Calculating Drapery Weight

1. Fabric Weight

Some fabric samples list on the back of the swatch the weight listed in Ounces/SqYd (ounces per square yard). Call the manufacturer for the weight if not listed.

2. Lining Weight

Most drapery linings are 2oz - 4oz per square yard.

Drapery Weight Formula

Total Square Yards = (total yards x 36 x fabric width) ÷ 1296 (1-square yard)

Weight = total square yards x weight in ounces per SqYd) ÷ 16 oz in lb

Example 32 yards of 54" wide fabric weighing 14 oz/SqYd
Total square yards = (32 x 36 x 54) = 62,208 ÷ 1296 = 48 SqYds
Weight = (48 x 14oz) = 672 ÷ 16 = 42 lbs

Lining Weight Formula

Total Square Yards = (total yards x 36 x fabric width) ÷ 1296 (1-square yard)

Weight = total square yards x weight in ounces per SqYd) ÷ 16 oz in lb

Example 32 yards of 54" wide fabric weighing 6 oz/SqYd
Total square yards = (32 x 36 x 54) = 62,208 ÷ 1296 = 48 SqYds
Weight = (48 x 4oz) = 192 ÷ 16 = 12 lbs

Fabrics by Weight

Contact the fabric manufacturer for your specific fabric weight.

| Fabric Type | Weight per Square Yard |
|-----------------|------------------------|
| Drapery Lining | 2-4oz |
| Interlining | 5-6oz |
| Blackout Lining | 6-10oz |
| Bump Lining | 12-14oz |
| Silks | 2-4oz |
| Chintz | 2-4oz |
| Printed Cottons | 4-6oz |
| Linens | 6-10oz |
| Jacquards | 10-14oz |
| Velvets | 14-18oz |

Stack Guides

Pleated Stack Guide (for 16 mm carriers)

Note: Stack size is estimated. Type of fabric used could alter these measurements.

| Size of Track (in inches) | 5 carriers per foot 3x fullness | | 4 carriers per foot 2½x fullness | | 3 carriers per foot 2x fullness | |
|------------------------------|------------------------------------|------------------------------------|-------------------------------------|------------------------------------|------------------------------------|------------------------------------|
| | Stackback One-Way | Stackback Two-Way (per side) | Stackback One-Way | Stackback Two-Way (per side) | Stackback One-Way | Stackback Two-Way (per side) |
| 18 | 11.75 | 8.75 | 10.5 | 8.5 | 10.5 | 8.5 |
| 24 | 13 | 9.25 | 11.75 | 8.75 | 10.5 | 8.5 |
| 30 | 15.75 | 10.5 | 13 | 9.25 | 11.75 | 8.75 |
| 36 | 17 | 11.25 | 14.5 | 10 | 13 | 9.25 |
| 42 | 18.5 | 12 | 15.75 | 10.5 | 14.5 | 10 |
| 48 | 19.75 | 12.5 | 17 | 11.25 | 14.5 | 10 |
| 54 | 22.25 | 14 | 18.5 | 12 | 15.75 | 10.5 |
| 60 | 23.75 | 14.5 | 19.75 | 12.5 | 17 | 11.25 |
| 66 | 25 | 15.25 | 21 | 13.25 | 18.5 | 12 |
| 72 | 26.25 | 16 | 22.25 | 14 | 18.5 | 12 |
| 78 | 29 | 17.25 | 23.75 | 14.5 | 19.75 | 12.5 |
| 84 | 30.25 | 18 | 25 | 15.25 | 21 | 13.25 |
| 90 | 31.5 | 18.5 | 26.25 | 16 | 22.25 | 14 |
| 96 | 33 | 19.25 | 27.5 | 16.5 | 22.25 | 14 |
| 102 | 35.5 | 20.5 | 29 | 17.25 | 23.75 | 14.5 |
| 108 | 36.75 | 21.25 | 30.25 | 18 | 25 | 15.25 |
| 114 | 38.25 | 21.75 | 31.5 | 18.5 | 26.25 | 16 |
| 120 | 39.5 | 22.5 | 33 | 19.25 | 26.25 | 16 |
| 126 | 42.25 | 23.75 | 34.25 | 19.75 | 27.5 | 16.5 |
| 132 | 43.5 | 24.5 | 35.5 | 20.5 | 29 | 17.25 |
| 138 | 44.75 | 25.25 | 36.75 | 21.25 | 30.25 | 18 |
| 144 | 46 | 25.75 | 38.25 | 21.75 | 30.25 | 18 |
| 150 | 48.75 | 27 | 39.5 | 22.5 | 31.5 | 18.5 |
| 156 | 50 | 27.75 | 40.75 | 23.25 | 33 | 19.25 |
| 162 | 51.5 | 28.5 | 42.25 | 23.75 | 34.25 | 19.75 |
| 168 | 52.75 | 29 | 43.5 | 24.5 | 34.25 | 19.75 |
| 174 | 55.25 | 30.5 | 44.75 | 25.25 | 35.5 | 20.5 |
| 180 | 56.75 | 31 | 46 | 25.75 | 36.75 | 21.25 |
| 186 | 58 | 31.75 | 47.5 | 26.5 | 38.25 | 21.75 |
| 192 | 59.25 | 32.5 | 48.75 | 27 | 38.25 | 21.75 |
| 198 | 62 | 33.75 | 50 | 27.75 | 39.5 | 22.5 |
| 204 | 63.25 | 34.5 | 51.5 | 28.5 | 40.75 | 23.25 |
| 210 | 64.5 | 35 | 52.75 | 29 | 42.25 | 23.75 |
| 216 | 66 | 35.75 | 54 | 29.75 | 42.25 | 23.75 |
| 222 | 68.5 | 37 | 55.25 | 30.5 | 43.5 | 24.5 |
| 228 | 69.75 | 37.75 | 56.75 | 31 | 44.75 | 25.25 |
| 234 | 71.25 | 38.25 | 58 | 31.75 | 46 | 25.75 |
| 240 | 72.5 | 39 | 59.25 | 32.5 | 46 | 25.75 |

Ripplefold™ Stack Guide for Butt Master 84111xxx

Note: Stack size is estimated. Type of fabric used could alter these measurements. Please refer to the Ripplefold Fabrication Manual for more information.

| 120% Fullness | 100% Fullness | 80% Fullness | 60% Fullness | Number of factory snaps | Snap Tape Length (less return length)* | Panel Stackback |
|---------------|---------------|--------------|--------------|-------------------------|--|-----------------|
| 13⅜ | 15⅜ | 17⅞ | 18⅞ | 8 | 32½ | 5½ |
| 17⅜ | 19⅝ | 21⅞ | 24⅞ | 10 | 41 | 6½ |
| 21⅞ | 23⅞ | 26⅞ | 29⅞ | 12 | 49½ | 7½ |
| 24⅞ | 28⅞ | 31⅞ | 34⅞ | 14 | 58 | 8¾ |
| 28⅞ | 32⅞ | 36⅞ | 39⅞ | 16 | 66½ | 9¾ |
| 32⅞ | 36⅞ | 40⅞ | 45⅞ | 18 | 75 | 11 |
| 36⅞ | 40⅞ | 45⅞ | 50⅞ | 20 | 83½ | 12 |
| 39⅞ | 45⅞ | 50⅞ | 55⅞ | 22 | 92 | 13 |
| 45⅞ | 49⅞ | 55⅞ | 60⅞ | 24 | 100½ | 14¼ |
| 47⅞ | 53⅞ | 59⅞ | 66⅞ | 26 | 109 | 15¼ |
| 51⅞ | 57⅞ | 64⅞ | 71⅞ | 28 | 117½ | 16½ |
| 54⅞ | 62⅞ | 69⅞ | 76⅞ | 30 | 126 | 17½ |
| 58⅞ | 66⅞ | 74⅞ | 81⅞ | 32 | 134½ | 18½ |
| 62⅞ | 70⅞ | 78⅞ | 87⅞ | 34 | 143 | 19¾ |
| 66⅞ | 74⅞ | 83⅞ | 92⅞ | 36 | 151½ | 20¾ |
| 69⅞ | 79⅞ | 88⅞ | 97⅞ | 38 | 160 | 22 |
| 73⅞ | 83⅞ | 93⅞ | 102⅞ | 40 | 168½ | 23 |
| 77⅞ | 87⅞ | 97⅞ | 108⅞ | 42 | 177 | 24 |
| 81⅞ | 91⅞ | 102⅞ | 113⅞ | 44 | 185½ | 25¼ |
| 84⅞ | 96⅞ | 107⅞ | 118⅞ | 46 | 194 | 26¼ |
| 88⅞ | 100⅞ | 112⅞ | 123⅞ | 48 | 202½ | 27½ |
| 92⅞ | 104⅞ | 116⅞ | 129⅞ | 50 | 211 | 28½ |
| 96⅞ | 108⅞ | 121⅞ | 134⅞ | 52 | 219½ | 29½ |
| 99⅞ | 113⅞ | 126⅞ | 139⅞ | 52 | 228 | 30¾ |
| 103⅞ | 117⅞ | 131⅞ | 144⅞ | 54 | 236½ | 31¾ |
| 107⅞ | 121⅞ | 135⅞ | 150⅞ | 56 | 245 | 33 |
| 111⅞ | 125⅞ | 140⅞ | 155⅞ | 58 | 253½ | 34 |
| 114⅞ | 130⅞ | 145⅞ | 160⅞ | 60 | 262 | 35 |
| 118⅞ | 134⅞ | 150⅞ | 165⅞ | 62 | 270½ | 36¼ |
| 122⅞ | 138⅞ | 154⅞ | 171⅞ | 64 | 279 | 37¼ |
| 126⅞ | 142⅞ | 159⅞ | 176⅞ | 66 | 287½ | 38½ |
| 129⅞ | 147⅞ | 164⅞ | 181⅞ | 68 | 296 | 39 ½ |
| 133⅞ | 151⅞ | 169⅞ | 186⅞ | 70 | 304½ | 40½ |
| 137⅞ | 155⅞ | 173⅞ | 192⅞ | 72 | 313 | 41¾ |
| 141⅞ | 159⅞ | 178⅞ | 197⅞ | 74 | 321½ | 42¾ |
| 144⅞ | 164⅞ | 183⅞ | 202⅞ | 76 | 330 | 44 |

Ripplefold™ Stack Guide for Butt Master 8411xxx

Note: Stack size is estimated. Type of fabric used could alter these measurements. Please refer to the Ripplefold Fabrication Manual for more information.

| 120% Fullness | 100% Fullness | 80% Fullness | 60% Fullness | Number of factory snaps | Snap Tape Length (less return length)* | Panel Stackback |
|---------------|---------------|--------------|--------------|-------------------------|--|-----------------|
| 148⅝ | 168⅝ | 188⅝ | 207⅝ | 78 | 338½ | 45 |
| 152⅝ | 176⅝ | 192⅝ | 213⅝ | 80 | 347 | 46 |
| 156⅝ | 176⅝ | 197⅝ | 218⅝ | 84 | 355½ | 47¼ |
| 159⅝ | 181⅝ | 202⅝ | 223⅝ | 86 | 364 | 48¼ |
| 163⅝ | 185⅝ | 207⅝ | 228⅝ | 88 | 372½ | 49½ |
| 167⅝ | 189⅝ | 211⅝ | 234⅝ | 90 | 381 | 50½ |
| 171⅝ | 193⅝ | 216⅝ | 239⅝ | 92 | 389½ | 51½ |
| 174⅝ | 198⅝ | 221⅝ | 244⅝ | 94 | 398 | 52¾ |
| 178⅝ | 202⅝ | 226⅝ | 249⅝ | 96 | 406½ | 53¾ |
| 182⅝ | 206⅝ | 230⅝ | 255⅝ | 98 | 415 | 55 |
| 186⅝ | 210⅝ | 235⅝ | 260⅝ | 100 | 423½ | 56 |
| 189⅝ | 215⅝ | 240⅝ | 265⅝ | 102 | 432 | 57 |
| 193⅝ | 219⅝ | 245⅝ | 270⅝ | 104 | 440½ | 58¼ |
| 197⅝ | 223⅝ | 249⅝ | 276⅝ | 106 | 449 | 59¼ |
| 201⅝ | 227⅝ | 254⅝ | 281⅝ | 108 | 457½ | 60½ |
| 204⅝ | 232⅝ | 259⅝ | 286⅝ | 110 | 466 | 61½ |
| 208⅝ | 236⅝ | 264⅝ | 291⅝ | 112 | 474½ | 62 ½ |
| 212⅝ | 240⅝ | 268⅝ | 297⅝ | 114 | 483 | 63¾ |
| 216⅝ | 244⅝ | 273⅝ | 302⅝ | 116 | 491½ | 64¾ |
| 219⅝ | 249⅝ | 278⅝ | 307⅝ | 118 | 500 | 66 |
| 223⅝ | 253⅝ | 283⅝ | 312⅝ | 120 | 508½ | 67 |
| 227⅝ | 257⅝ | 287⅝ | 318⅝ | 122 | 517 | 68 |
| 231⅝ | 261⅝ | 292⅝ | 323⅝ | 124 | 525½ | 69¼ |
| 234⅝ | 266⅝ | 297⅝ | 328⅝ | 126 | 534 | 70¼ |
| 238⅝ | 270⅝ | 302⅝ | 333⅝ | 128 | 542½ | 71½ |
| 242⅝ | 274⅝ | 306⅝ | 339⅝ | 130 | 551 | 72½ |
| 246⅝ | 278⅝ | 311⅝ | 344⅝ | 132 | 559½ | 73½ |
| 249⅝ | 283⅝ | 316⅝ | 349⅝ | 134 | 568 | 74¾ |
| 253⅝ | 287⅝ | 321⅝ | 354⅝ | 136 | 576½ | 75¾ |
| 257⅝ | 291⅝ | 325⅝ | 360⅝ | 138 | 585 | 77 |
| 261⅝ | 295⅝ | 330⅝ | 365⅝ | 140 | 593½ | 78 |
| 264⅝ | 300⅝ | 335⅝ | 370⅝ | 142 | 602 | 79 |
| 268⅝ | 304⅝ | 340⅝ | 375⅝ | 144 | 610½ | 80¼ |
| 272⅝ | 308⅝ | 344⅝ | 381⅝ | 146 | 619 | 81¼ |
| 276⅝ | 312⅝ | 349⅝ | 386⅝ | 148 | 627½ | 82½ |
| 279⅝ | 317⅝ | 354⅝ | 391⅝ | 150 | 636 | 83½ |

Ripplefold™ Stack Guide for Butt Master 84214xxx

Note: Stack size is estimated. Type of fabric used could alter these measurements. Please refer to the Ripplefold Fabrication Manual for more information.

| 120% Fullness | 100% Fullness | 80% Fullness | 60% Fullness | Number of factory snaps | Snap Tape Length (less return length)* | Panel Stackback |
|---------------|---------------|--------------|--------------|-------------------------|--|-----------------|
| 14⅞ | 16⅜ | 17⅞ | 19⅜ | 8 | 32½ | 7½ |
| 18⅞ | 20⅞ | 22⅞ | 24⅞ | 10 | 41 | 8½ |
| 22⅜ | 24⅞ | 27⅜ | 29⅞ | 12 | 49½ | 9¾ |
| 26⅞ | 29⅞ | 32⅞ | 35⅞ | 14 | 58 | 10¾ |
| 29⅞ | 33⅞ | 36⅞ | 40⅞ | 16 | 66½ | 12 |
| 33⅞ | 37⅞ | 41⅞ | 45⅞ | 18 | 75 | 13 |
| 37⅞ | 41⅞ | 46⅞ | 50⅞ | 20 | 83½ | 14 |
| 41⅞ | 46⅞ | 51⅞ | 56⅞ | 22 | 92 | 15¾ |
| 44⅞ | 50⅞ | 55⅞ | 61⅞ | 24 | 100½ | 16¾ |
| 48⅞ | 54⅞ | 60⅞ | 66⅞ | 26 | 109 | 17½ |
| 52⅞ | 58⅞ | 65⅞ | 71⅞ | 28 | 117½ | 18½ |
| 56⅞ | 63⅞ | 70⅞ | 77⅞ | 30 | 126 | 19½ |
| 59⅞ | 67⅞ | 74⅞ | 82⅞ | 32 | 134½ | 20¾ |
| 63⅞ | 71⅞ | 79⅞ | 87⅞ | 34 | 143 | 21¾ |
| 67⅞ | 75⅞ | 84⅞ | 92⅞ | 36 | 151½ | 23 |
| 71⅞ | 80⅞ | 89⅞ | 98⅞ | 38 | 160 | 24 |
| 74⅞ | 84⅞ | 93⅞ | 103⅞ | 40 | 168½ | 25 |
| 78⅞ | 88⅞ | 98⅞ | 108⅞ | 42 | 177 | 26¼ |
| 82⅞ | 92⅞ | 103⅞ | 113⅞ | 44 | 185½ | 27¼ |
| 86⅞ | 97⅞ | 108⅞ | 119⅞ | 46 | 194 | 28½ |
| 89⅞ | 101⅞ | 112⅞ | 124⅞ | 48 | 202½ | 29½ |
| 93⅞ | 105⅞ | 117⅞ | 129⅞ | 50 | 211 | 30½ |
| 97⅞ | 109⅞ | 122⅞ | 134⅞ | 52 | 219½ | 31¾ |
| 101⅞ | 114⅞ | 127⅞ | 140⅞ | 54 | 228 | 32¾ |
| 104⅞ | 118⅞ | 131⅞ | 145⅞ | 56 | 236½ | 34 |
| 108⅞ | 122⅞ | 136⅞ | 150⅞ | 56 | 245 | 35 |
| 112⅞ | 126⅞ | 141⅞ | 155⅞ | 60 | 253½ | 36¼ |
| 116⅞ | 131⅞ | 146⅞ | 161⅞ | 62 | 262 | 37¼ |
| 119⅞ | 135⅞ | 150⅞ | 166⅞ | 64 | 270½ | 38¼ |
| 123⅞ | 139⅞ | 155⅞ | 171⅞ | 66 | 279 | 39½ |
| 127⅞ | 143⅞ | 160⅞ | 176⅞ | 68 | 287½ | 40½ |
| 131⅞ | 148⅞ | 165⅞ | 182⅞ | 70 | 296 | 41¾ |
| 134⅞ | 152⅞ | 169⅞ | 187⅞ | 72 | 304½ | 42¾ |
| 138⅞ | 156⅞ | 174⅞ | 192⅞ | 74 | 313 | 43¾ |
| 142⅞ | 160⅞ | 179⅞ | 197⅞ | 76 | 321½ | 45 |
| 146⅞ | 165⅞ | 184⅞ | 203⅞ | 78 | 330 | 46 |

Ripplefold™ Stack Guide for Butt Master 84214xxx

Note: Stack size is estimated. Type of fabric used could alter these measurements. Please refer to the Ripplefold Fabrication Manual for more information.

| 120% Fullness | 100% Fullness | 80% Fullness | 60% Fullness | Number of factory snaps | Snap Tape Length (less return length)* | Panel Stackback |
|---------------|---------------|--------------|--------------|-------------------------|--|-----------------|
| 149⅞ | 169⅞ | 188⅞ | 208⅞ | 80 | 338½ | 47¼ |
| 153⅞ | 173⅞ | 193⅞ | 213⅞ | 82 | 347 | 48¼ |
| 157⅞ | 177⅞ | 198⅞ | 218⅞ | 84 | 355½ | 49½ |
| 161⅞ | 182⅞ | 203⅞ | 224⅞ | 86 | 364 | 50½ |
| 164⅞ | 186⅞ | 207⅞ | 229⅞ | 88 | 372½ | 51½ |
| 168⅞ | 190⅞ | 212⅞ | 234⅞ | 90 | 381 | 52¾ |
| 172⅞ | 194⅞ | 217⅞ | 239⅞ | 92 | 389½ | 53¾ |
| 176⅞ | 199⅞ | 222⅞ | 245⅞ | 94 | 398 | 55 |
| 179⅞ | 203⅞ | 226⅞ | 250⅞ | 96 | 406½ | 56 |
| 183⅞ | 207⅞ | 231⅞ | 255⅞ | 98 | 415 | 57 |
| 187⅞ | 211⅞ | 236⅞ | 260⅞ | 100 | 423½ | 58¼ |
| 191⅞ | 216⅞ | 241⅞ | 266⅞ | 102 | 432 | 59¼ |
| 194⅞ | 220⅞ | 245⅞ | 271⅞ | 104 | 440½ | 60½ |
| 198⅞ | 224⅞ | 250⅞ | 276⅞ | 106 | 449 | 61½ |
| 202⅞ | 228⅞ | 255⅞ | 281⅞ | 108 | 457½ | 62½ |
| 206⅞ | 233⅞ | 260⅞ | 287⅞ | 110 | 466 | 63¾ |
| 209⅞ | 237⅞ | 264⅞ | 292⅞ | 112 | 474½ | 64¾ |
| 213⅞ | 241⅞ | 269⅞ | 297⅞ | 114 | 483 | 66 |
| 217⅞ | 245⅞ | 274⅞ | 302⅞ | 116 | 491½ | 67 |
| 221⅞ | 250⅞ | 279⅞ | 308⅞ | 118 | 500 | 68¼ |
| 224⅞ | 254⅞ | 283⅞ | 313⅞ | 120 | 508½ | 69¼ |
| 228⅞ | 258⅞ | 288⅞ | 318⅞ | 122 | 517 | 70¼ |
| 232⅞ | 262⅞ | 293⅞ | 323⅞ | 124 | 525½ | 71½ |
| 236⅞ | 267⅞ | 298⅞ | 329⅞ | 126 | 534 | 72½ |
| 239⅞ | 271⅞ | 302⅞ | 334⅞ | 128 | 542½ | 73¾ |
| 243⅞ | 275⅞ | 307⅞ | 339⅞ | 130 | 551 | 74¾ |
| 247⅞ | 279⅞ | 312⅞ | 344⅞ | 132 | 559½ | 75¾ |
| 251⅞ | 284⅞ | 317⅞ | 350⅞ | 134 | 568 | 77 |
| 254⅞ | 288⅞ | 321⅞ | 355⅞ | 136 | 576½ | 78 |
| 258⅞ | 292⅞ | 326⅞ | 360⅞ | 138 | 585 | 79¼ |
| 262⅞ | 296⅞ | 331⅞ | 365⅞ | 140 | 593½ | 80¼ |
| 266⅞ | 301⅞ | 336⅞ | 371⅞ | 142 | 602 | 81¼ |
| 269⅞ | 305⅞ | 340⅞ | 376⅞ | 144 | 610½ | 82½ |
| 273⅞ | 309⅞ | 345⅞ | 381⅞ | 146 | 619 | 83½ |
| 277⅞ | 313⅞ | 350⅞ | 386⅞ | 148 | 627½ | 84¾ |
| 281⅞ | 318⅞ | 355⅞ | 392⅞ | 150 | 636 | 85¾ |

Ripplefold™ Overlap Stack Guide

Note: Stack size is estimated. Type of fabric used could alter these measurements. Please refer to the Ripplefold Fabrication Manual for more information.

| 120% Fullness | 100% Fullness | 80% Fullness | 60% Fullness | Number of factory snaps | Snap Tape Length (less return length)* | Panel Stackback |
|---------------|---------------|--------------|--------------|-------------------------|--|-----------------|
| 16¼ | 17¾ | 19½ | 20¾ | 8 | 34 | 9 |
| 20 | 22 | 23¾ | 26 | 10 | 42½ | 10¼ |
| 23¾ | 26¼ | 28½ | 31¼ | 12 | 51 | 11¼ |
| 27½ | 20½ | 33¾ | 26½ | 14 | 59½ | 12½ |
| 31¼ | 34¾ | 38½ | 41¼ | 16 | 68 | 13½ |
| 35 | 39 | 42¾ | 47 | 18 | 76½ | 14½ |
| 38¾ | 43¼ | 47½ | 52¼ | 20 | 85 | 15¾ |
| 42½ | 47½ | 52¾ | 57½ | 22 | 93½ | 16¾ |
| 46¼ | 51¾ | 57½ | 62¾ | 24 | 102 | 18 |
| 50 | 56 | 61¾ | 68 | 26 | 110½ | 19 |
| 53¾ | 60¼ | 66½ | 73¼ | 28 | 119 | 20 |
| 57½ | 64½ | 71¾ | 78½ | 30 | 127½ | 21¼ |
| 61¼ | 68¾ | 76½ | 83¾ | 32 | 136 | 22¼ |
| 65 | 73 | 80¾ | 89 | 34 | 144½ | 23½ |
| 68¾ | 77¼ | 85½ | 94¼ | 36 | 153 | 24½ |
| 72½ | 81½ | 90¾ | 99½ | 38 | 161½ | 25½ |
| 76¼ | 85¾ | 95½ | 104¾ | 40 | 170 | 26¾ |
| 80 | 90 | 99¾ | 110 | 42 | 178½ | 27¾ |
| 83¾ | 94¼ | 104½ | 115¼ | 44 | 187 | 29 |
| 87½ | 98½ | 109¾ | 120½ | 46 | 195½ | 30 |
| 91¼ | 102¾ | 114½ | 125¾ | 48 | 204 | 31 |
| 95 | 107 | 118¾ | 131 | 50 | 212½ | 32¼ |
| 98¾ | 111¼ | 123½ | 136¼ | 52 | 221 | 33¼ |
| 102½ | 115½ | 128¾ | 141½ | 54 | 229½ | 34½ |
| 106¼ | 119¾ | 133½ | 146¾ | 56 | 238 | 35½ |
| 110 | 124 | 137¾ | 152 | 56 | 246½ | 36½ |
| 113¾ | 128¼ | 142½ | 157¼ | 60 | 255 | 37¾ |
| 117½ | 132½ | 147¾ | 162½ | 62 | 263½ | 38¾ |
| 121¼ | 136¾ | 152½ | 167¾ | 64 | 272 | 40 |
| 125 | 141 | 156¾ | 173 | 66 | 280½ | 41 |
| 128¾ | 145¼ | 161½ | 178¼ | 68 | 289 | 42 |
| 132½ | 149½ | 166¾ | 183½ | 70 | 297½ | 43¼ |
| 136¼ | 153¾ | 171½ | 188¾ | 72 | 306 | 44¼ |
| 140 | 158 | 175¾ | 194 | 74 | 314½ | 45½ |
| 143¾ | 162¼ | 180½ | 199¼ | 76 | 323 | 46½ |
| 147½ | 166½ | 185¾ | 204½ | 78 | 331½ | 47½ |

Ripplefold™ Overlap Stack Guide

Note: Stack size is estimated. Type of fabric used could alter these measurements. Please refer to the Ripplefold Fabrication Manual for more information.

| 120% Fullness | 100% Fullness | 80% Fullness | 60% Fullness | Number of factory snaps | Snap Tape Length (less return length)* | Panel Stackback |
|---------------|---------------|--------------|--------------|-------------------------|--|-----------------|
| 151¼ | 170¼ | 190½ | 209¾ | 80 | 340 | 48¾ |
| 155 | 175 | 194¾ | 215 | 82 | 348½ | 49¾ |
| 158¾ | 179¼ | 199½ | 220¼ | 84 | 357 | 51 |
| 162½ | 183½ | 204¾ | 225½ | 86 | 365½ | 52 |
| 166¼ | 187¾ | 209½ | 230¾ | 88 | 374 | 53 |
| 170 | 192 | 213¾ | 236 | 90 | 382½ | 54¼ |
| 173¾ | 196¼ | 218½ | 241¼ | 92 | 391 | 55¼ |
| 177½ | 200½ | 223¾ | 246½ | 94 | 399½ | 56½ |
| 181¼ | 204¾ | 228½ | 251¾ | 96 | 408 | 57½ |
| 185 | 209 | 232¾ | 257 | 98 | 416½ | 58½ |
| 188¾ | 213¼ | 237½ | 262¼ | 100 | 425 | 59¾ |
| 192½ | 217½ | 242¾ | 267½ | 102 | 433½ | 60¾ |
| 196¼ | 221¾ | 247½ | 272¾ | 104 | 442 | 62 |
| 200 | 226 | 251¾ | 278 | 106 | 450½ | 63 |
| 203¾ | 230¼ | 256½ | 283¼ | 108 | 459 | 64 |
| 207½ | 234½ | 261¾ | 288½ | 110 | 467½ | 65¼ |
| 211¼ | 238¾ | 266½ | 293¾ | 112 | 476 | 66¼ |
| 215 | 243 | 270¾ | 299 | 114 | 484½ | 67½ |
| 218¾ | 247¼ | 275½ | 304¼ | 116 | 493 | 68½ |
| 222½ | 251½ | 280¾ | 309½ | 118 | 501½ | 69½ |
| 226¼ | 255¾ | 285½ | 314¾ | 120 | 510 | 70¾ |
| 230 | 260 | 289¾ | 320 | 122 | 518½ | 71¾ |
| 233¾ | 264¼ | 294½ | 325¼ | 124 | 527 | 73 |
| 237½ | 268½ | 299¾ | 330½ | 126 | 535½ | 74 |
| 241¼ | 272¾ | 304½ | 335¾ | 128 | 544 | 75 |
| 245 | 277 | 308¾ | 341 | 130 | 552½ | 76¼ |
| 248¾ | 281¼ | 313½ | 346¼ | 132 | 561 | 77¼ |
| 252½ | 285½ | 318¾ | 351½ | 134 | 569½ | 78½ |
| 256¼ | 289¾ | 323½ | 356¾ | 136 | 578 | 79½ |
| 260 | 294 | 327¾ | 362 | 138 | 586½ | 80½ |
| 263¾ | 298¼ | 332½ | 367¼ | 140 | 595 | 81¾ |
| 267½ | 302½ | 337¾ | 372½ | 142 | 603½ | 82¾ |
| 271¼ | 306¾ | 342½ | 377¾ | 144 | 612 | 84 |
| 275 | 311 | 346¾ | 383 | 146 | 620½ | 85 |
| 278¾ | 315¼ | 351½ | 388¼ | 148 | 629 | 86 |
| 282½ | 319½ | 356¾ | 393½ | 150 | 637½ | 87¼ |

Pole Installation, Cutting & Splicing

Top Hole Installation Guide

This chart will position the bracket so the drapery will clear the floor approximately ½".

1. Find your pole style, size and header style in the chart.
2. Determine the desired finished drapery length.
3. Add or subtract number in the top hole column from the drapery's finished length to determine how high to measure for the top hole of the bracket.

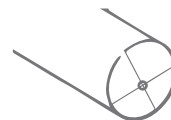
| Stationary Poles | | | | | |
|----------------------------------|-------------------------------|--|--------------------------|---------|--|
| | Rod Pocket (no top ruffle) | | Pleated (any variety) | | |
| | Top Hole | | Top Hole | Pin Set | |
| 1 3/8" Standard Bracket | -1 13/16" | | +1 9/16" | 1/4" | |
| 1 3/8" Decorative Bracket | -1 1/4" | | +2 1/8" | 1/4" | |
| 2" Standard Bracket | -2 3/16" | | +2 3/8" | 1/4" | |

| Wall Mount Traverse Rods | | | | | |
|--------------------------|-------------------------------|----------------------------------|----------------------|-------------------------------|----------------------------------|
| | Pleated (any variety) | | | Ripplefold™ (any fullness) | |
| | Top Hole for Wall Mount | Floor to Ceiling Deduction | Suggested Pin Set | Top Hole for Wall Mount | Floor to Ceiling Deduction |
| 1 3/8" Estate™ | +1 11/16" | -2 1/8" | 1/2" | +1 11/16" | -2 1/8" |
| 2" Estate™ | +1 11/16" | -2 13/16" | 1/2" | +1 11/16" | -2 13/16" |

| Ceiling Mount Traverse Rods | | | | | |
|-----------------------------|-----|---------|------|-----|---------|
| | | | | | |
| 1 3/8" Estate™ | +0" | -3 5/8" | 1/2" | +0" | -3 5/8" |
| 2" Estate™ | +0" | -3 5/8" | 1/2" | +0" | -3 5/8" |

Cutting & Splicing Wood Trends™ Poles

- Measure to desired length and carefully wrap area with an easy peel, blue painter's tape as not to damage the finish.
- Cut through the tape with sharp fine tooth saw. Cut slowly to reduce any chipping to the product finish.
- Drill a new finial pilot hole. Find rod center easily by drawing an X across the diameter of the pole using a 1/8" drill bit.
- Splice with pole connector. Always support the splice with a bracket.

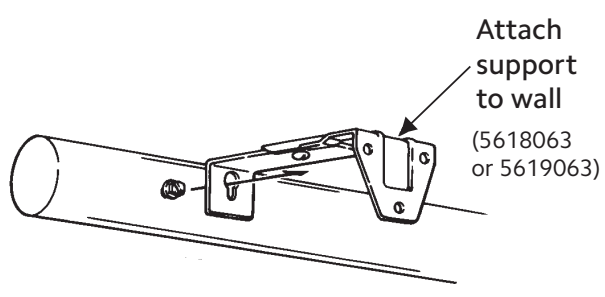
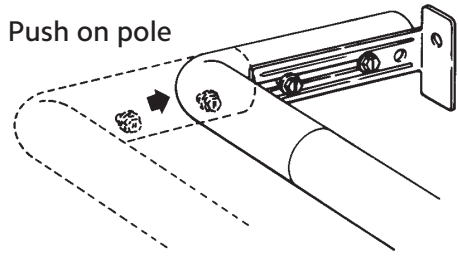
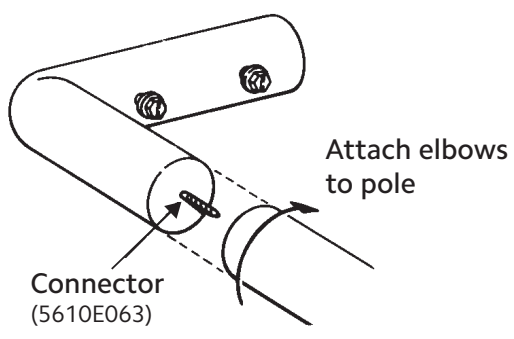
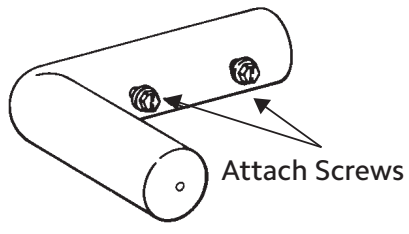
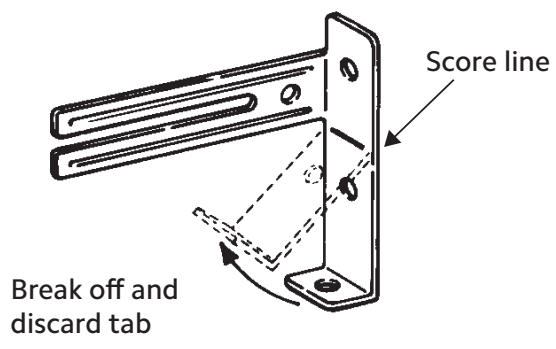


Find rod center by marking X across diameter of pole.



Pole Connector
#5610E061

Wood Elbow Configuration



Learn more about all of our collections



Buckingham® Collection

exquisitely handcrafted
distinguished style
custom order

Designer Metals™ Collection

sophisticated styles
acrylic and metals
striking finishes

Wood Trends™ Collection

crafted timelessness
beautiful finishes
classic designs

Wrought Iron Collection

architectural statement
remarkable history
real wrought iron

Estate™ Traverse Rods Collection

form meets function
innovative solutions
customizable

| | | | | | |
|----------------------------|---|---|---|---|--|
| Available Diameters | 1 3/8", 2", 3" | 1 3/8" & 2" | 1 3/8" & 2" | 1" & 1 3/8" | 1 3/8" Wrought Iron 1 3/8" & 2" Buckingham® Designer Metals™ Wood Trends™ 2" Varia & Chroma |
| Pole Lengths | 4', 6', 8', 12' | Fixed - 8' Telescoping - 36"-180" | 4', 6', 8', 12' | 6' & 8' | 18"-16' |
| Pole Material | Wood | Metal | Wood | Metal | Wood, Metal, Varia & Chroma |
| Operation Modes | Stationary, Traversing Manual or Motorized Draw | Stationary, Traversing Manual or Motorized Draw | Stationary, Traversing Manual or Motorized Draw | Stationary, Traversing Manual or Motorized Draw | Traversing Manual or Motorized Draw |
| Pole Sizing | Fixed Width | Fixed Width & Telescoping | Fixed Width | Fixed Width | Cut to Measure |
| Finishes | 15 | 8 | 9 | 6 | 62 |
| Finials | 48 | 24 | 18 | 18 | 108 |
| Bracket Types | Decorative Fixed | Decorative Fixed & Bypass Fixed | Decorative Fixed | Decorative Fixed & Bypass Fixed | Concealed Adjustable |
| Bracket Sizes | 3 1/2" - 6" | 3" - 8 3/4", Inside Mount & Ceiling Mount | 3 1/2" - 7", Inside Mount & Ceiling Mount | 3 1/2" - 6 1/2" & Inside Mount | 1 3/4" - 3 1/4" |
| Treatment Styles | Stationary & Traversing | Stationary & Traversing | Stationary & Traversing | Stationary & Traversing | Traversing |



Designer Metals | Stratta in Brushed Bronze



Wrought Iron | Darby in Graphite, Heirloom Copper



Wood Trends | Chaucer in Estate Oak, Black



Buckingham | Aston in Camden

| PRODUCT NO. | PAGE | PRODUCT NO. | PAGE | PRODUCT NO. | PAGE | PRODUCT NO. | PAGE |
|-------------|--------|-------------|------|-------------|------|-------------|------|
| 1026661 | 16, 30 | 36817820 | 9 | 46816091 | 24 | 55004G825 | 27 |
| 2989899000 | 16, 30 | 36817825 | 9 | 46816820 | 24 | 55004G830 | 27 |
| 2989901000 | 16, 30 | 36817830 | 9 | 46816825 | 24 | 55004G835 | 27 |
| 2989902000 | 16, 30 | 36817835 | 9 | 46816830 | 24 | 55004G841 | 27 |
| 36807025 | 8 | 36817841 | 9 | 46816835 | 24 | 55006G025 | 27 |
| 36807059 | 8 | 46807025 | 23 | 46816841 | 24 | 55006G059 | 27 |
| 36807083 | 8 | 46807059 | 23 | 46817025 | 24 | 55006G083 | 27 |
| 36807091 | 8 | 46807083 | 23 | 46817059 | 24 | 55006G091 | 27 |
| 36807820 | 8 | 46807091 | 23 | 46817083 | 24 | 55006G820 | 27 |
| 36807825 | 8 | 46807820 | 23 | 46817091 | 24 | 55006G825 | 27 |
| 36807830 | 8 | 46807825 | 23 | 46817820 | 24 | 55006G830 | 27 |
| 36807835 | 8 | 46807830 | 23 | 46817825 | 24 | 55006G835 | 27 |
| 36807841 | 8 | 46807835 | 23 | 46817830 | 24 | 55006G841 | 27 |
| 36808025 | 10 | 46807841 | 23 | 46817835 | 24 | 55008G025 | 28 |
| 36808059 | 10 | 46808025 | 25 | 46817841 | 24 | 55008G059 | 28 |
| 36808083 | 10 | 46808059 | 25 | 46850025 | 32 | 55008G083 | 28 |
| 36808091 | 10 | 46808083 | 25 | 46850059 | 32 | 55008G091 | 28 |
| 36808820 | 10 | 46808091 | 25 | 46850083 | 32 | 55008G820 | 28 |
| 36808825 | 10 | 46808820 | 25 | 46850820 | 32 | 55008G825 | 28 |
| 36808830 | 10 | 46808825 | 25 | 46850825 | 32 | 55008G830 | 28 |
| 36808835 | 10 | 46808830 | 25 | 46850830 | 32 | 55008G835 | 28 |
| 36808841 | 10 | 46808835 | 25 | 46850835 | 32 | 55008G841 | 28 |
| 36814025 | 8 | 46808841 | 25 | 46850841 | 32 | 550112G025 | 28 |
| 36814059 | 8 | 46813025 | 23 | 46855025 | 19 | 550112G059 | 28 |
| 36814083 | 8 | 46813059 | 23 | 46855059 | 19 | 550112G083 | 28 |
| 36814091 | 8 | 46813083 | 23 | 46855083 | 19 | 550112G091 | 28 |
| 36814820 | 8 | 46813091 | 23 | 46855820 | 19 | 550112G820 | 28 |
| 36814825 | 8 | 46813820 | 23 | 46855825 | 19 | 550112G825 | 28 |
| 36814830 | 8 | 46813825 | 23 | 46855830 | 19 | 550112G830 | 28 |
| 36814835 | 8 | 46813830 | 23 | 46855835 | 19 | 550112G835 | 28 |
| 36814841 | 8 | 46813835 | 23 | 46855841 | 19 | 550112G841 | 28 |
| 36815025 | 8 | 46813841 | 23 | 46865025 | 35 | 55014G025 | 27 |
| 36815059 | 8 | 46814025 | 23 | 46865059 | 35 | 55014G059 | 27 |
| 36815083 | 8 | 46814059 | 23 | 46865083 | 35 | 55014G083 | 27 |
| 36815091 | 8 | 46814083 | 23 | 46865820 | 35 | 55014G091 | 27 |
| 36815820 | 8 | 46814091 | 23 | 46865825 | 35 | 55014G820 | 27 |
| 36815825 | 8 | 46814820 | 23 | 46865830 | 35 | 55014G825 | 27 |
| 36815830 | 8 | 46814825 | 23 | 46865835 | 35 | 55014G830 | 27 |
| 36815835 | 8 | 46814830 | 23 | 46865841 | 35 | 55014G835 | 27 |
| 36815841 | 8 | 46814835 | 23 | 550012G025 | 28 | 55014G841 | 27 |
| 36816025 | 9 | 46814841 | 23 | 550012G059 | 28 | 55016G025 | 27 |
| 36816059 | 9 | 46815025 | 23 | 550012G083 | 28 | 55016G059 | 27 |
| 36816083 | 9 | 46815059 | 23 | 550012G091 | 28 | 55016G083 | 27 |
| 36816091 | 9 | 46815083 | 23 | 550012G820 | 28 | 55016G091 | 27 |
| 36816820 | 9 | 46815091 | 23 | 550012G825 | 28 | 55016G820 | 27 |
| 36816825 | 9 | 46815820 | 23 | 550012G830 | 28 | 55016G825 | 27 |
| 36816830 | 9 | 46815825 | 23 | 550012G835 | 28 | 55016G830 | 27 |
| 36816835 | 9 | 46815830 | 23 | 550012G841 | 28 | 55016G835 | 27 |
| 36816841 | 9 | 46815835 | 23 | 55004G025 | 27 | 55016G841 | 27 |
| 36817025 | 9 | 46815841 | 23 | 55004G059 | 27 | 55018G025 | 28 |
| 36817059 | 9 | 46816025 | 24 | 55004G083 | 27 | 55018G059 | 28 |
| 36817083 | 9 | 46816059 | 24 | 55004G091 | 27 | 55018G083 | 28 |
| 36817091 | 9 | 46816083 | 24 | 55004G820 | 27 | 55018G091 | 28 |

| PRODUCT NO. | PAGE | PRODUCT NO. | PAGE | PRODUCT NO. | PAGE | PRODUCT NO. | PAGE |
|-------------|------|-------------|------|-------------|------|-------------|------|
| 55018G820 | 28 | 5511EG091 | 32 | 560112G059 | 12 | 5605BB063 | 35 |
| 55018G825 | 28 | 5511EG820 | 32 | 560112G083 | 12 | 5605EG025 | 20 |
| 55018G830 | 28 | 5511EG825 | 32 | 560112G091 | 12 | 5605EG059 | 20 |
| 55018G835 | 28 | 5511EG830 | 32 | 560112G820 | 12 | 5605EG083 | 20 |
| 55018G841 | 28 | 5511EG835 | 32 | 560112G825 | 12 | 5605EG091 | 20 |
| 5502EG025 | 31 | 5511EG841 | 32 | 560112G830 | 12 | 5605EG820 | 20 |
| 5502EG059 | 31 | 5513091 | 33 | 560112G835 | 12 | 5605EG825 | 20 |
| 5502EG083 | 31 | 5517091 | 33 | 560112G841 | 12 | 5605EG830 | 20 |
| 5502EG091 | 31 | 5520EG025 | 32 | 56014G025 | 11 | 5605EG835 | 20 |
| 5502EG820 | 31 | 5520EG059 | 32 | 56014G059 | 11 | 5605EG841 | 20 |
| 5502EG825 | 31 | 5520EG083 | 32 | 56014G083 | 11 | 5606E025 | 20 |
| 5502EG830 | 31 | 5520EG820 | 32 | 56014G091 | 11 | 5606E059 | 20 |
| 5502EG835 | 31 | 5520EG825 | 32 | 56014G820 | 11 | 5606E083 | 20 |
| 5502EG841 | 31 | 5520EG830 | 32 | 56014G825 | 11 | 5606E091 | 20 |
| 5503EG025 | 32 | 5520EG835 | 32 | 56014G830 | 11 | 5606E820 | 20 |
| 5503EG059 | 32 | 5520EG841 | 32 | 56014G835 | 11 | 5606E825 | 20 |
| 5503EG083 | 32 | 560012G025 | 12 | 56014G841 | 11 | 5606E830 | 20 |
| 5503EG091 | 32 | 560012G059 | 12 | 56016G025 | 11 | 5606E835 | 20 |
| 5503EG820 | 32 | 560012G083 | 12 | 56016G059 | 11 | 5606E841 | 20 |
| 5503EG825 | 32 | 560012G091 | 12 | 56016G083 | 11 | 5608EG025 | 9 |
| 5503EG830 | 32 | 560012G820 | 12 | 56016G091 | 11 | 5608EG059 | 9 |
| 5503EG835 | 32 | 560012G825 | 12 | 56016G820 | 11 | 5608EG083 | 9 |
| 5503EG841 | 32 | 560012G830 | 12 | 56016G825 | 11 | 5608EG091 | 9 |
| 5506EG025 | 33 | 560012G835 | 12 | 56016G830 | 11 | 5608EG820 | 9 |
| 5506EG059 | 33 | 560012G841 | 12 | 56016G835 | 11 | 5608EG825 | 9 |
| 5506EG083 | 33 | 56004G025 | 11 | 56016G841 | 11 | 5608EG830 | 9 |
| 5506EG091 | 33 | 56004G059 | 11 | 56018G025 | 12 | 5608EG835 | 9 |
| 5506EG820 | 33 | 56004G083 | 11 | 56018G059 | 12 | 5608EG841 | 9 |
| 5506EG825 | 33 | 56004G091 | 11 | 56018G083 | 12 | 5609EG025 | 9 |
| 5506EG830 | 33 | 56004G820 | 11 | 56018G091 | 12 | 5609EG059 | 9 |
| 5506EG835 | 33 | 56004G825 | 11 | 56018G820 | 12 | 5609EG083 | 9 |
| 5506EG841 | 33 | 56004G830 | 11 | 56018G825 | 12 | 5609EG091 | 9 |
| 5508EG025 | 24 | 56004G835 | 11 | 56018G830 | 12 | 5609EG820 | 9 |
| 5508EG059 | 24 | 56004G841 | 11 | 56018G835 | 12 | 5609EG825 | 9 |
| 5508EG083 | 24 | 56006G025 | 11 | 56018G841 | 12 | 5609EG830 | 9 |
| 5508EG091 | 24 | 56006G059 | 11 | 5602BB025 | 17 | 5609EG835 | 9 |
| 5508EG820 | 24 | 56006G083 | 11 | 5602BB059 | 17 | 5609EG841 | 9 |
| 5508EG825 | 24 | 56006G091 | 11 | 5602BB083 | 17 | 5610E061 | 35 |
| 5508EG830 | 24 | 56006G820 | 11 | 5602BB091 | 17 | 5611BB025 | 18 |
| 5508EG835 | 24 | 56006G825 | 11 | 5602BB820 | 17 | 5611BB059 | 18 |
| 5508EG841 | 24 | 56006G830 | 11 | 5602BB825 | 17 | 5611BB083 | 18 |
| 5509EG025 | 24 | 56006G835 | 11 | 5602BB830 | 17 | 5611BB091 | 18 |
| 5509EG059 | 24 | 56006G841 | 11 | 5602BB835 | 17 | 5611BB820 | 18 |
| 5509EG083 | 24 | 56008G025 | 12 | 5602BB841 | 17 | 5611BB825 | 18 |
| 5509EG091 | 24 | 56008G059 | 12 | 5602EG025 | 17 | 5611BB830 | 18 |
| 5509EG820 | 24 | 56008G083 | 12 | 5602EG059 | 17 | 5611BB835 | 18 |
| 5509EG825 | 24 | 56008G091 | 12 | 5602EG083 | 17 | 5611BB841 | 18 |
| 5509EG830 | 24 | 56008G820 | 12 | 5602EG091 | 17 | 5611EG025 | 18 |
| 5509EG835 | 24 | 56008G825 | 12 | 5602EG820 | 17 | 5611EG059 | 18 |
| 5509EG841 | 24 | 56008G830 | 12 | 5602EG825 | 17 | 5611EG083 | 18 |
| 5511EG025 | 32 | 56008G835 | 12 | 5602EG830 | 17 | 5611EG091 | 18 |
| 5511EG059 | 32 | 56008G841 | 12 | 5602EG835 | 17 | 5611EG820 | 18 |
| 5511EG083 | 32 | 560112G025 | 12 | 5602EG841 | 17 | 5611EG825 | 18 |

| PRODUCT NO. | PAGE | PRODUCT NO. | PAGE |
|-------------|--------|-------------|------|
| 5611EG830 | 18 | 84990000 | 35 |
| 5611EG835 | 18 | 94675025 | 13 |
| 5611EG841 | 18 | 94675059 | 13 |
| 5613E091 | 20 | 94675083 | 13 |
| 5614EG025 | 18 | 94675820 | 13 |
| 5614EG059 | 18 | 94675825 | 13 |
| 5614EG083 | 18 | 94675830 | 13 |
| 5614EG091 | 18 | 94675835 | 13 |
| 5614EG820 | 18 | 94675841 | 13 |
| 5614EG825 | 18 | 94676025 | 13 |
| 5614EG830 | 18 | 94676059 | 13 |
| 5614EG835 | 18 | 94676083 | 13 |
| 5614EG841 | 18 | 94676820 | 13 |
| 5617091 | 20 | 94676825 | 13 |
| 5618063 | 21, 34 | 94676830 | 13 |
| 5619063 | 21, 34 | 94676835 | 13 |
| 5620EG025 | 19 | 94676841 | 13 |
| 5620EG059 | 19 | 95675025 | 29 |
| 5620EG083 | 19 | 95675059 | 29 |
| 5620EG820 | 19 | 95675083 | 29 |
| 5620EG825 | 19 | 95675091 | 29 |
| 5620EG830 | 19 | 95675820 | 29 |
| 5620EG835 | 19 | 95675825 | 29 |
| 5620EG841 | 19 | 95675830 | 29 |
| 5623063 | 21, 34 | 95675835 | 29 |
| 5629G025 | 8 | 95675841 | 29 |
| 5629G059 | 8 | 95676025 | 29 |
| 5629G083 | 8 | 95676059 | 29 |
| 5629G820 | 8 | 95676083 | 29 |
| 5629G825 | 8 | 95676091 | 29 |
| 5629G830 | 8 | 95676820 | 29 |
| 5629G835 | 8 | 95676825 | 29 |
| 5629G841 | 8 | 95676830 | 29 |
| 5691G025 | 18 | 95676835 | 29 |
| 5691G059 | 18 | 95676841 | 29 |
| 5691G083 | 18 | | |
| 5691G091 | 18 | | |
| 5691G820 | 18 | | |
| 5691G825 | 18 | | |
| 5691G830 | 18 | | |
| 5691G835 | 18 | | |
| 5691G841 | 18 | | |
| 62101000 | 16, 30 | | |
| 62101010 | 16, 30 | | |
| 62102000 | 16, 30 | | |
| 62108000 | 16, 30 | | |
| 62109000 | 16, 30 | | |
| 62201300 | 16, 30 | | |
| 71132006 | 13, 29 | | |
| 71132012 | 13, 29 | | |
| 71132062 | 13, 29 | | |
| 71132110 | 13, 29 | | |
| 71134110 | 13, 29 | | |



Midwest
Designer
Supply

1-888-523-2611

**Midwest Designer Supply, Inc.
N30W22377 Green Road Ste C
Waukesha, WI 53186
(262) 523-2600
Fax (262) 524-1007
www.midwestdesignersupply.com**



Buckingham®
redefining luxury

Designer Metals™
inspiring brilliance

Wood Trends™
renewing traditions

Wrought Iron
forging artistry

Custom Rodding
& Basic Hardware
unique solutions

MDS - your one source for window fashions.